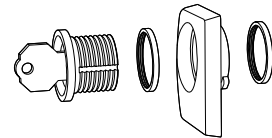


Use hex key to lock/unlock bar

CYLINDER OPTION

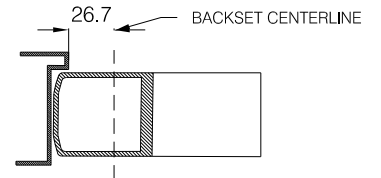


OUTSIDE CYLINDER PREPARATION

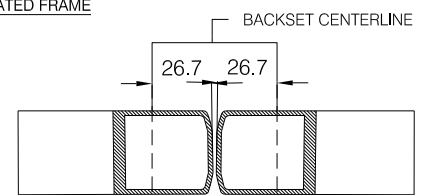
NOTE 2:
WHEN USING OUTSIDE CYLINDER, DRILL 5.5mm, HOLES FOR # SCREWS BOTH SIDES AND COUNTERSINK INTERIOR ONLY .

1. DRILL Ø5.5mm AND COUNTERSINK HOLES FOR #10.32 FLAT SCREWS
2. THESE DIMENSIONS AND TEMPLATES ASSUME DOOR 44.5mm THINK WITH 3mm STILE WALL

HOW TO FIND BACKSET

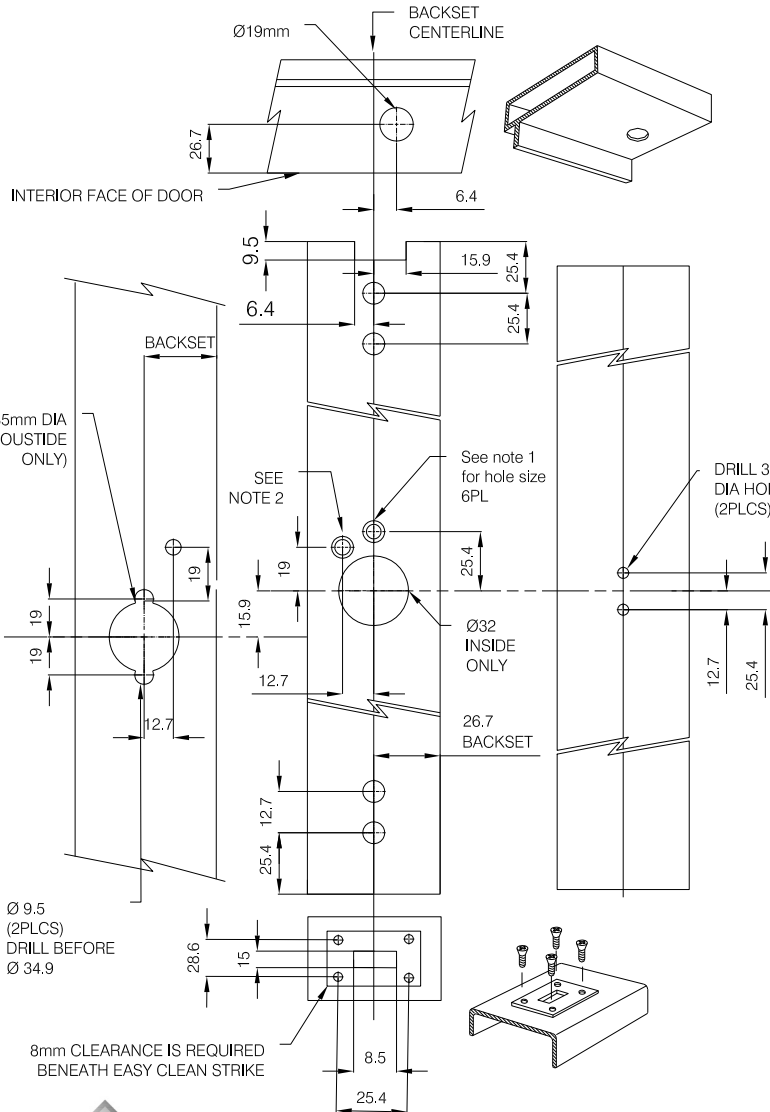
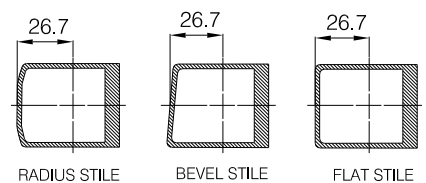


REBATED FRAME



BEVEL AND FLAT STILE APPLY TO SINGLE DOOR ONLY

PAIR DOOR

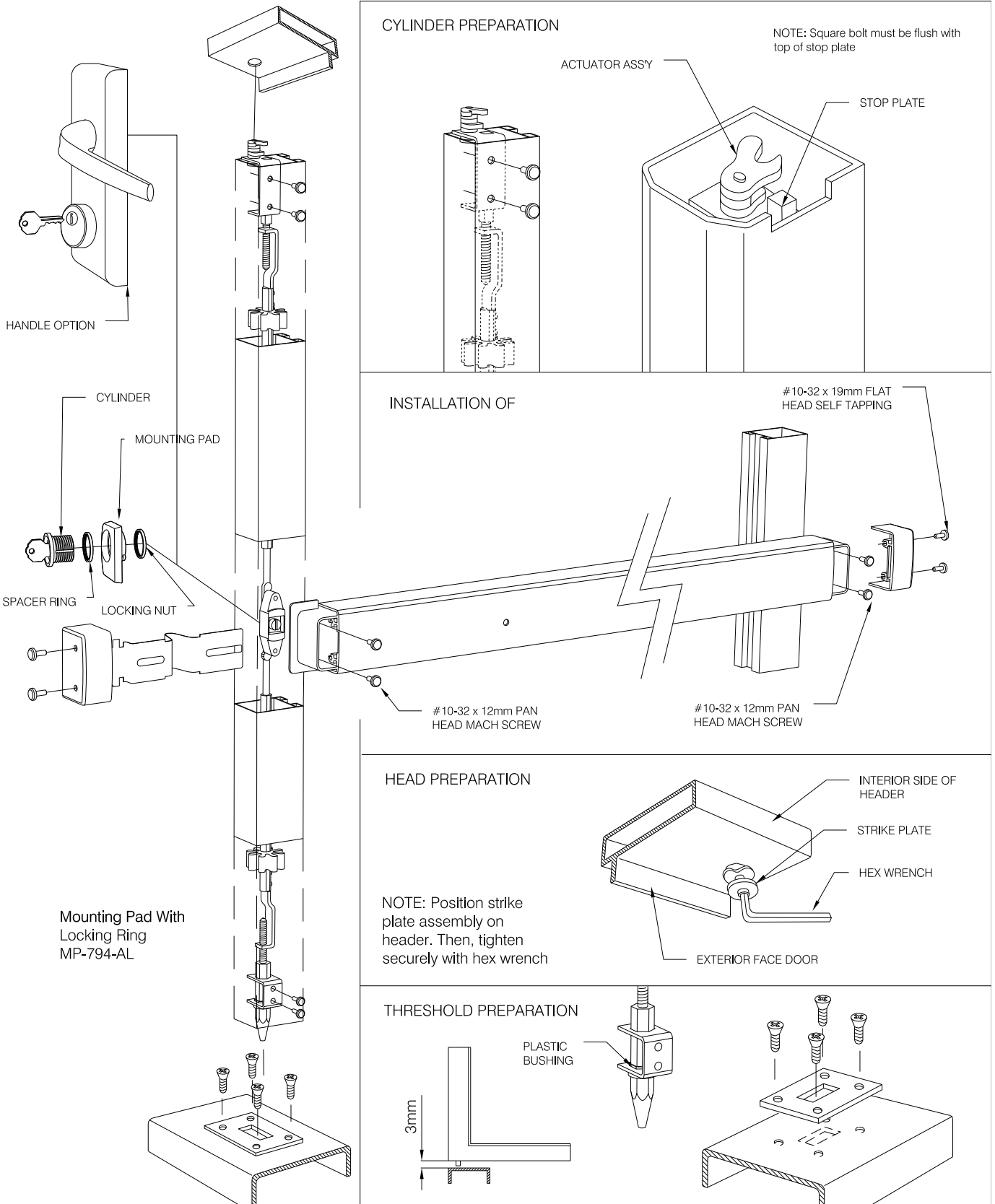


The Parkside Group Ltd

The Willow Centre
17 Willow Lane, Mitcham, Surrey, CR4 4NX
Tel: 020-8685 9685 Fax: 020-8646 5096
Email: axim@parksidegroup.co.uk
Web Site: www.axim.co.uk

SCALE	NTS @A4
DATE	FEBRUARY 2022

For scaled technical or CAD drawings, please contact AXIM.

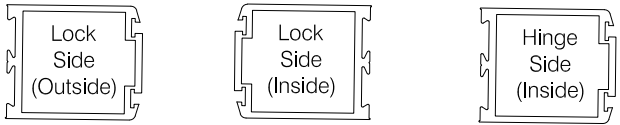
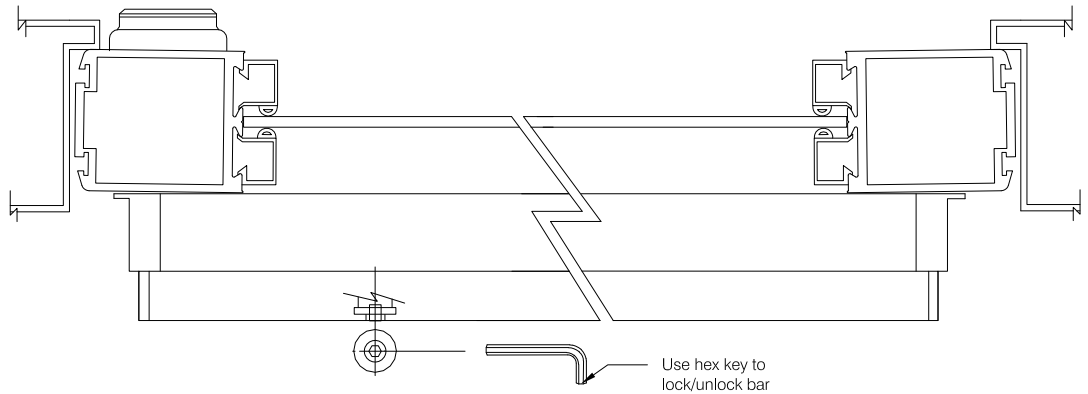


The Parkside Group Ltd

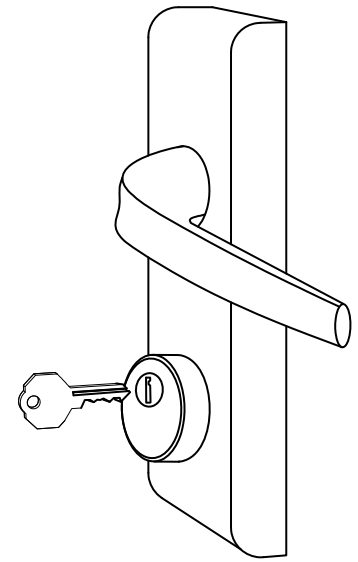
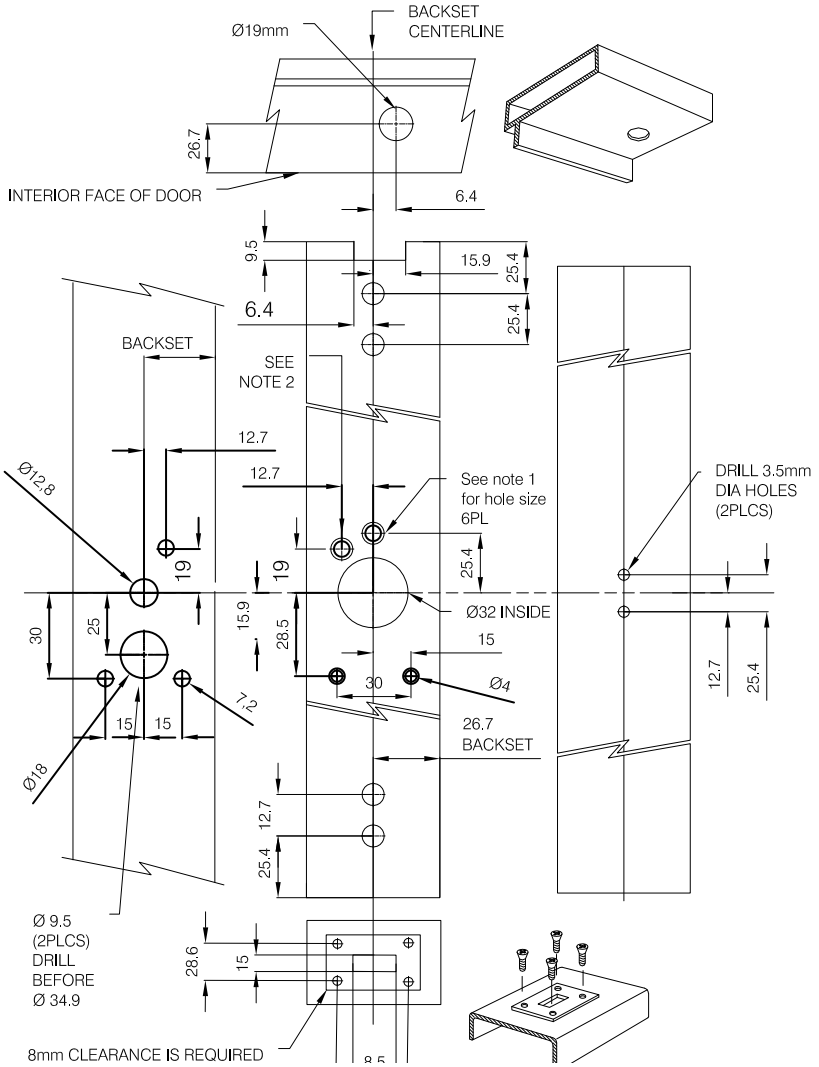
The Willow Centre
17 Willow Lane, Mitcham, Surrey, CR4 4NX
Tel: 020-8685 9685 Fax: 020-8646 5096
Email: axim@parksidegroup.co.uk
Web Site: www.axim.co.uk

SCALE	NTS @A4
DATE	FEBRUARY 2022

For scaled technical or CAD drawings, please contact AXIM.



HANDLE OPTION



OUTSIDE CYLINDER PREPARATION

- NOTE 2:
WHEN USING OUTSIDE CYLINDER, DRILL 5.5mm, HOLES FOR SCREWS BOTH SIDES AND COUNTERSINK INTERIOR ONLY .
1. DRILL Ø5.5mm AND COUNTERSINK 5 HOLES FOR #10.32 FL HEAD SCREWS
 2. THESE DIMENSIONS AND TEMPLATES ASSUME DOOR 44.5mm THICK WITH 3mm STILE WALL



The Parkside Group Ltd
The Willow Centre
17 Willow Lane, Mitcham, Surrey, CR4 4NX
Tel: 020-8685 9685 Fax: 020-8646 5096
Email: axim@parksidegroup.co.uk
Web Site: www.axim.co.uk

SCALE	NTS @A4
DATE	FEBRUARY 2022
For scaled technical or CAD drawings, please contact AXIM.	