

CONCEALED ROD, PANIC EXIT DEVICE

Heavy duty lever springs and internal mechanism for durable, smooth operation.  
Plated steel and stainless steel internal components.  
8.5mm diameter, steel locking rods with 16mm bolt throw.  
Bolt length adjustable ensuring correct alignment.  
Standard model suitable for door widths as narrow as 700mm and 2135 high. 300mm & 600mm coupling rods are available for taller doors.

Available with standard mortice rim cylinder and mounting pad allowing external access.  
Permanent bolt retention for easy access can be achieved with cylinder key from outside or hexagon key in the touch bar.  
Extruded aluminium touch bar, anodised finish with coloured alloy end caps to match.

All Axim panic exit hardware is supplied with comprehensive instructions and full size templates for ease of installation.

MODEL SELECTION

Determine the hand of the door using the diagram above and enter the correct designation after the series number.

Example:

**PR-7100-AL-LHRB**

**NOTE: Units are stocked in both right and left hand but are easily field reversible.**

ACCESSORIES

Extension rod with coupling for doors over 2135mm high (plated steel)

**REF: RE-712** - 300mm Extension rod

**RE-714** - 600mm Extension rod

Dogging pin

**DP-713** - Silver

Locking handles

**LH-725-AL** - 46mm DOOR STILE - Silver

**LH725-BK** - 46mm DOOR STILE - Black

**LH-730-AL** - 49mm DOOR STILE - Silver

**LH-740-AL** - 54mm DOOR STILE - Silver

**LH-745-AL** - 67mm DOOR STILE - Silver

**LH-760-AL** - 64mm DOOR STILE - Silver

Rim cylinder for access from outside

Product codes;

**RC-785-AL** - 46mm DOOR STILE - Silver

**RC-785-DU** - 46mm DOOR STILE - Bronze

**RC-785-BK** - 46mm DOOR STILE - Black

**RC-785-AL-S** - 46mm DOOR STILE - Silver

**RC-787-AL** - 49mm DOOR STILE - Silver

**RC-789-AL** - 54mm DOOR STILE - Silver

**RC-789-AL-S** - 54mm DOOR STILE - Silver

**RC-791-AL** - 67mm DOOR STILE - Silver

**RC-791-AL-S** - 67mm DOOR STILE - Silver

Cylinder mounting pad for above including fixings

Product codes;

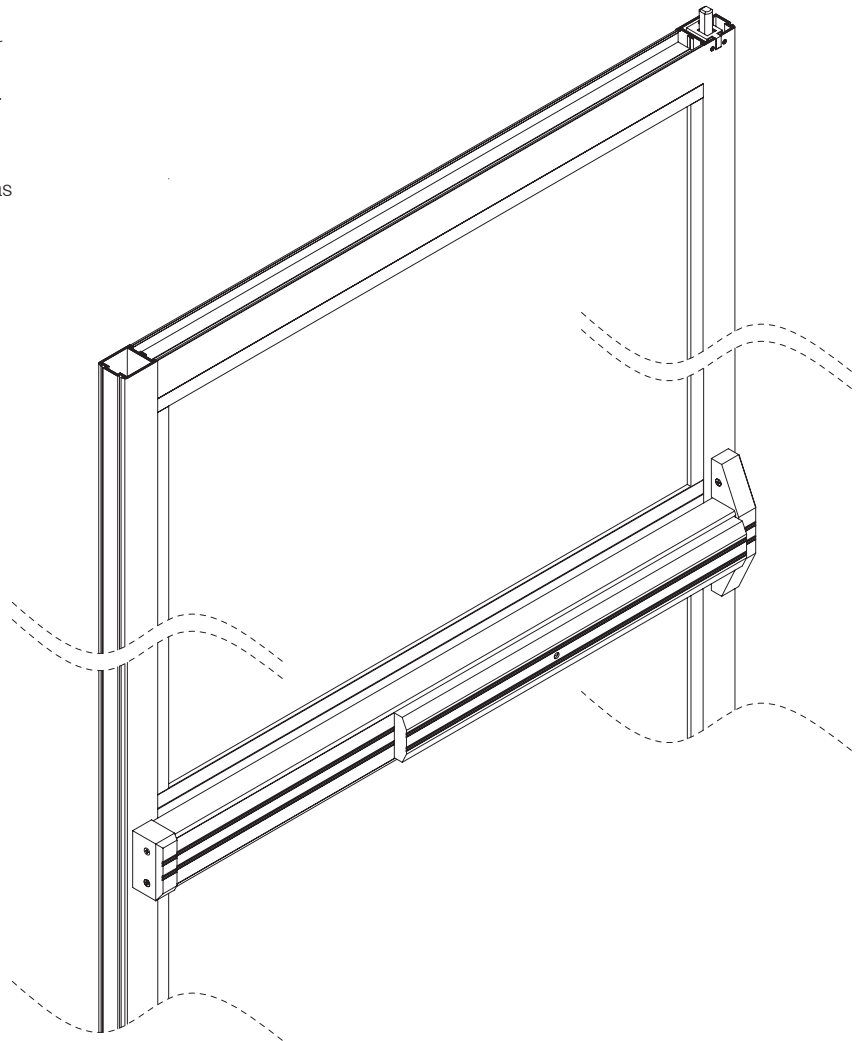
**MP-786-AL** - 49mm DOOR STILE - Silver

**MP-786-DU** - 49mm DOOR STILE - Bronze

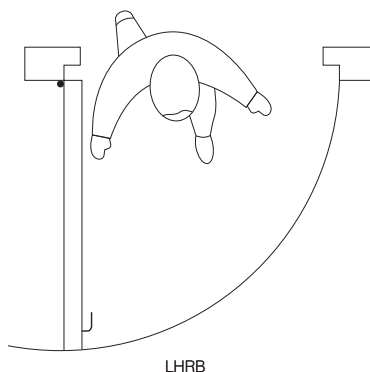
**MP-786-BK** - 49mm DOOR STILE - Black

**MP-780-AL** - 49mm DOOR STILE - Silver

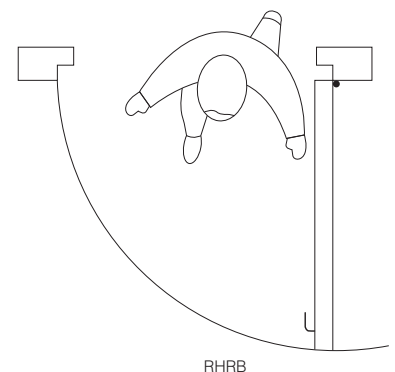
**MP-790-AL** - 54mm DOOR STILE - Silver



HAND OF DOOR



LHRB



RHRB



The Parkside Group Ltd

The Willow Centre  
17 Willow Lane, Mitcham, Surrey, CR4 4NX  
Tel: 020-8685 9685 Fax: 020-8646 5096  
Email: axim@parksidegroup.co.uk  
Web Site: www.axim.co.uk

SCALE NTS @A4

DATE NOVEMBER 2019

For scaled technical or CAD drawings, please contact AXIM.