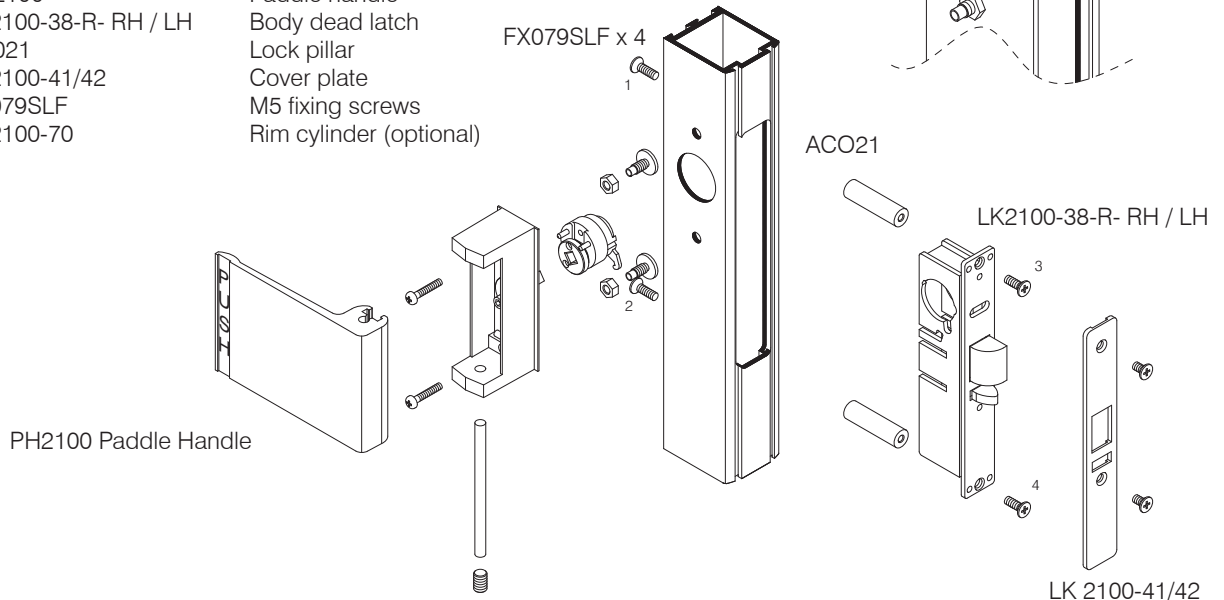


Cutaway view showing installation of binder posts

- Complete assembly consisting of:-
- PH2100 Paddle handle
  - LK2100-38-R- RH / LH Body dead latch
  - ACO21 Lock pillar
  - LK2100-41/42 Cover plate
  - FX079SLF M5 fixing screws
  - LK2100-70 Rim cylinder (optional)



The Axim 2100 series of handles, designed for narrow stile hollow metal and timber doors, provide the market with quality products at an affordable price.

**PUSH/PULL HANDLE**

The 2100 series of push/pull paddle handle is designed to operate with the 2100 series latch lock via a cam plug supplied.

The handle can be fitted to either side of the door and a standard rim cylinder can be fitted to the reverse side for access.

**LEVER HANDLE**

The 2100 series lever handle is also designed to operate with the 2100 series latch lock.

**CAM PLUG**

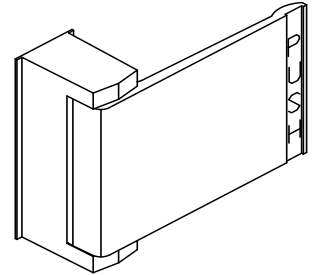
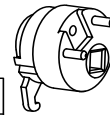
Secured in the latch body by cylinder set screw. It is also rigidly tied to lever handle escutcheon by steel pins.

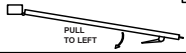
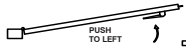

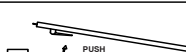
**MATERIAL FINISH**

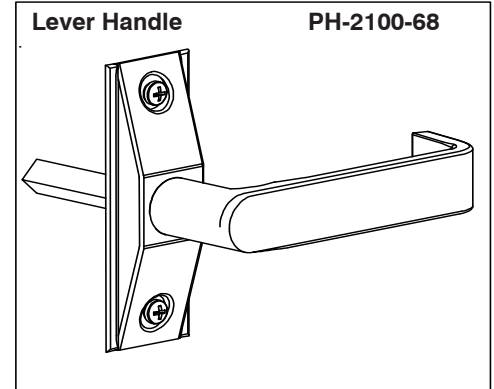
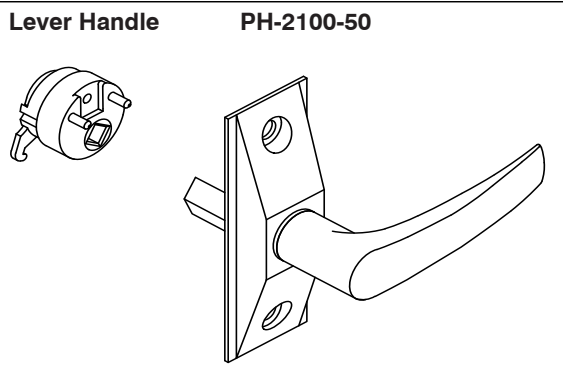
The paddle handle and lever handle are satin silver anodised aluminium, with zinc plated steel internal components.

**PRODUCT CODES**

PH-2100 SERIES PUSH/PULL Paddle Handle (Complete with cam)	
Pull to the left	PH-2100-61
Push to the left	PH-2100-62
Pull to the right	PH-2100-63
Push to the right	PH-2100-64



P/CODES	OPERATION	USE
PH-2100-61		Outside of left hand reverse door or inside of right hand.
PH-2100-62		Outside of left hand door or inside of right hand reverse.
PH-2100-63		Outside of right hand reverse door or inside of left hand.
PH-2100-64		Outside of right hand door or inside of left hand reverse.

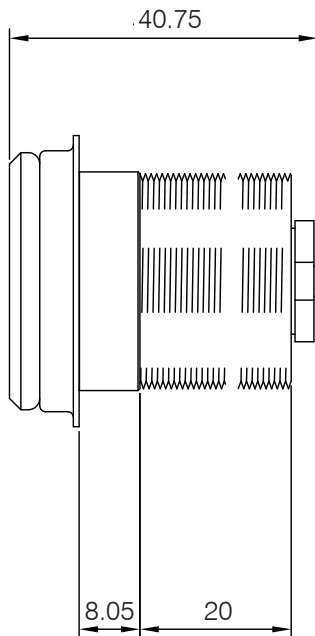


The Parkside Group Ltd

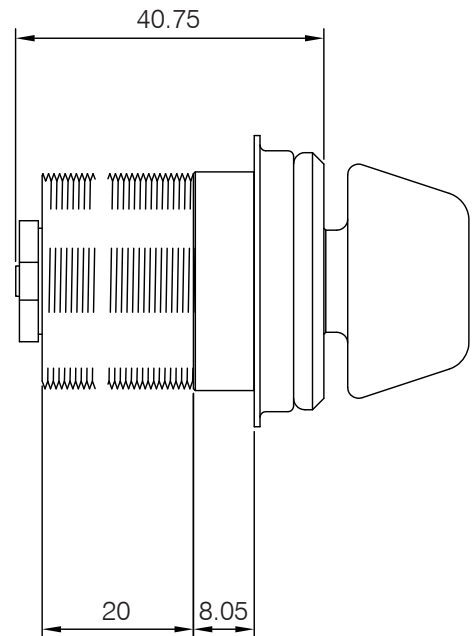
The Willow Centre  
17 Willow Lane, Mitcham, Surrey, CR4 4NX  
Tel: 020-8685 9685 Fax: 020-8646 5096  
Email: axim@parksidegroup.co.uk  
Web Site: www.axim.co.uk

SCALE	NTS @A4
DATE	NOVEMBER 2019

For scaled technical or CAD drawings, please contact AXIM.



LK 2100-75



LK 2100-76