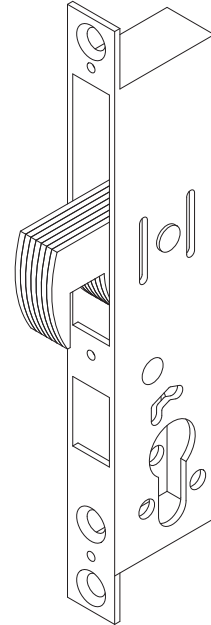
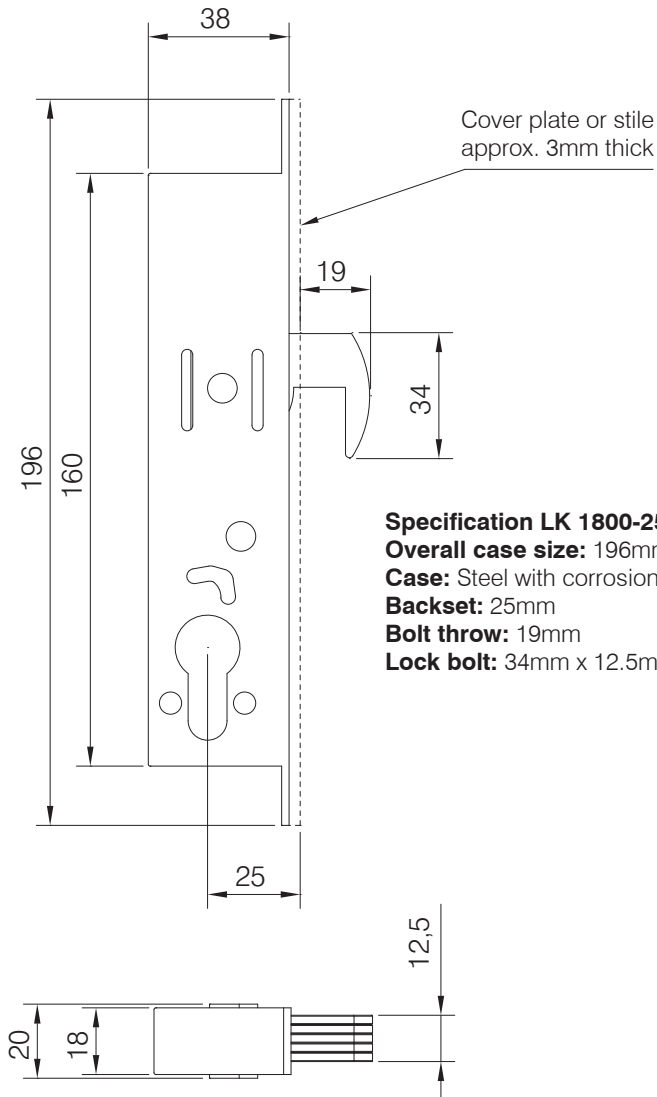


**LK-1800-25**  
Mortice hook lock  
25mm backset



**Specification LK 1800-25**

**Overall case size:** 196mm x 18mm x 38mm

**Case:** Steel with corrosion resistant plating

**Backset:** 25mm

**Bolt throw:** 19mm

**Lock bolt:** 34mm x 12.5mm

**Accessories**

Faceplates

**LK-1801-0F** - Flat no woolpile - Silver

**LK-1801-0R** - Radius no woolpile - Silver

**LK-1802-0F** - Flat no woolpile - Silver

Cylinders

**LK-1601-3030** - Keyed to differ

**LK-1601-3030-S** - Keyed alike

**LK-1601-3030-SP** - Keyed alike in pairs

Mortice hook locks

**LK-1800-25-E** - 25mm Backset Europrofile

**LK-1800-25-R** - 25mm Backset Round Cylinder

Mounting bridges

**LK-1800-1133** - PAIR

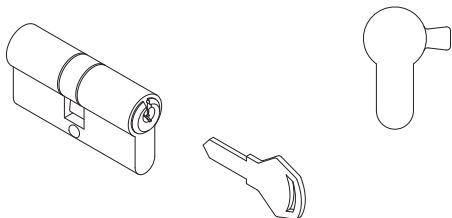
Armoured strike

**LK-1800-52**

Trim strike

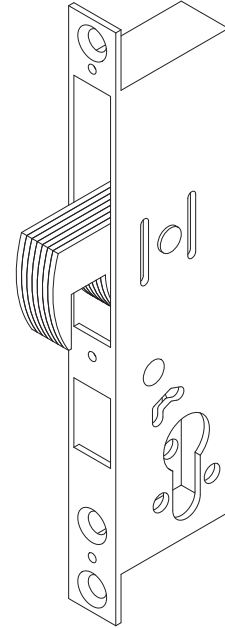
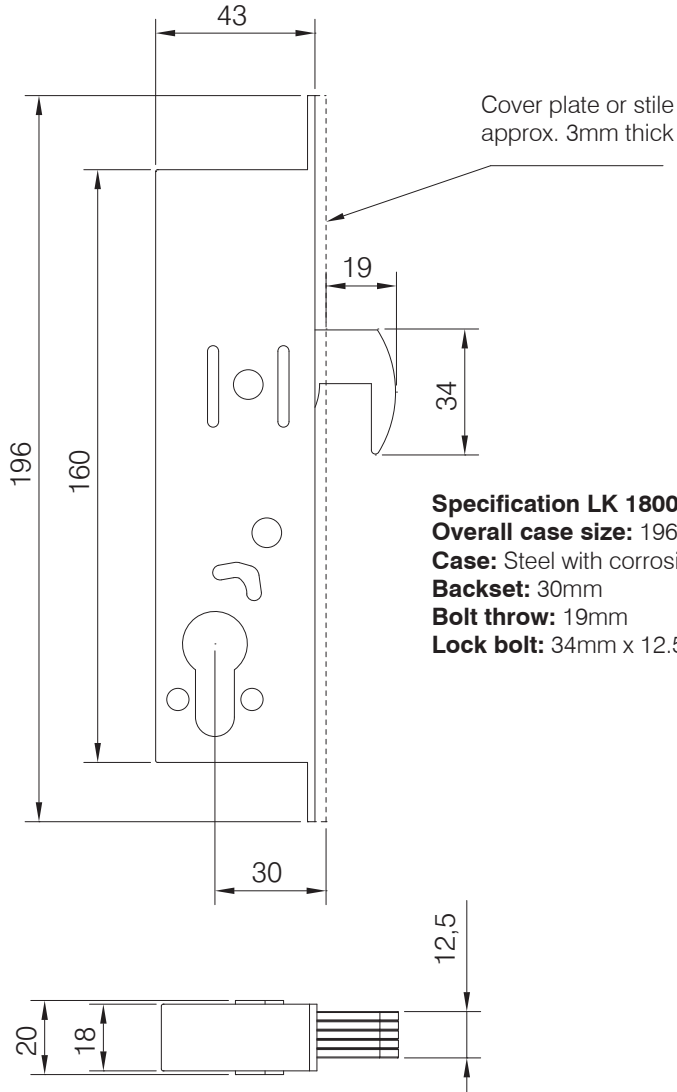
**LK-1800-51-F** - Flat

**LK-1800-51-R** - Radius



Note: See AXIM price list for alternative cylinders and finishes

**LK-1800-30**  
Mortice hook lock  
30mm backset



**Specification LK 1800-30**

**Overall case size:** 196mm x 18mm x 43mm

**Case:** Steel with corrosion resistant plating

**Backset:** 30mm

**Bolt throw:** 19mm

**Lock bolt:** 34mm x 12.5mm

**Accessories**

Faceplates

**LK-1801-0F** - Flat no woolpile - Silver

**LK-1801-0R** - Radius no woolpile - Silver

**LK-1802-0F** - Flat no woolpile - Silver

Cylinders

**LK-1601-3030** - Keyed to differ

**LK-1601-3030-S** - Keyed alike

**LK-1601-3030-SP** - Keyed alike in pairs

Mortice hook locks

**LK-1800-30-E** - 30mm Backset Europrofile

**LK-1800-30-R** - 30mm Backset Round Cylinder

Mounting bridges

**LK-1800-1133** - PAIR

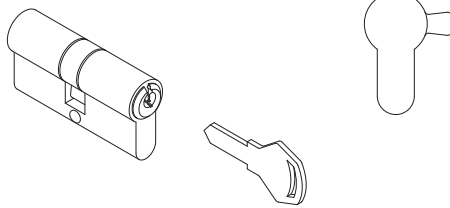
Armoured strike

**LK-1800-52**

Trim strike

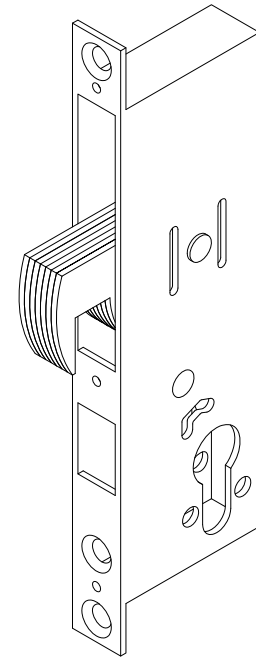
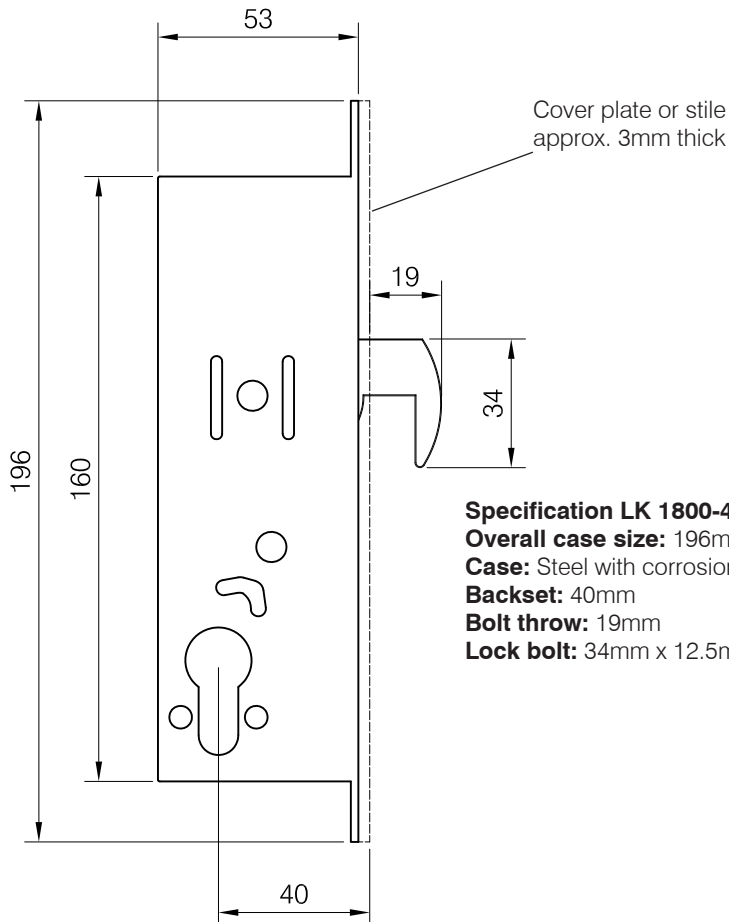
**LK-1800-51-F** - Flat

**LK-1800-51-R** - Radius



Note: See AXIM price list for alternative cylinders and finishes

**LK-1800-40**  
Mortice hook lock  
40mm backset



**Specification LK 1800-40**

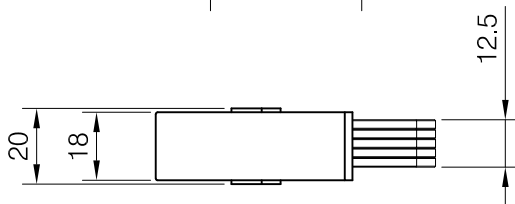
**Overall case size:** 196mm x 18mm x 53mm

**Case:** Steel with corrosion resistant plating

**Backset:** 40mm

**Bolt throw:** 19mm

**Lock bolt:** 34mm x 12.5mm



**Accessories**

Faceplates

**LK-1801-0F** - Flat no woolpile - Silver

**LK-1801-0R** - Radius no woolpile - Silver

**LK-1802-0F** - Flat no woolpile - Silver

Cylinders

**LK-1601-3030** - Keyed to differ

**LK-1601-3030-S** - Keyed alike

**LK-1601-3030-SP** - Keyed alike in pairs

Mortice hook locks

**LK-1800-40-E** - 40mm Backset Europrofile

**LK-1800-40-R** - 40mm Backset Round Cylinder

Mounting bridges

**LK-1800-1133** - PAIR

Armoured strike

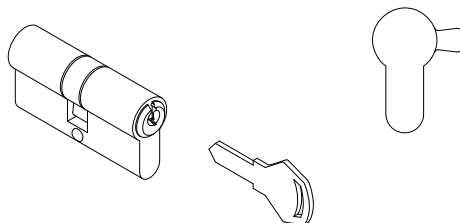
**LK-1800-52**

Trim strike

**LK-1800-51-F** - Flat

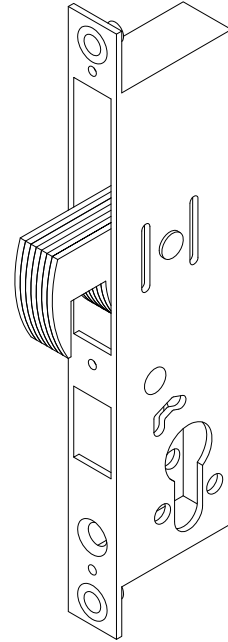
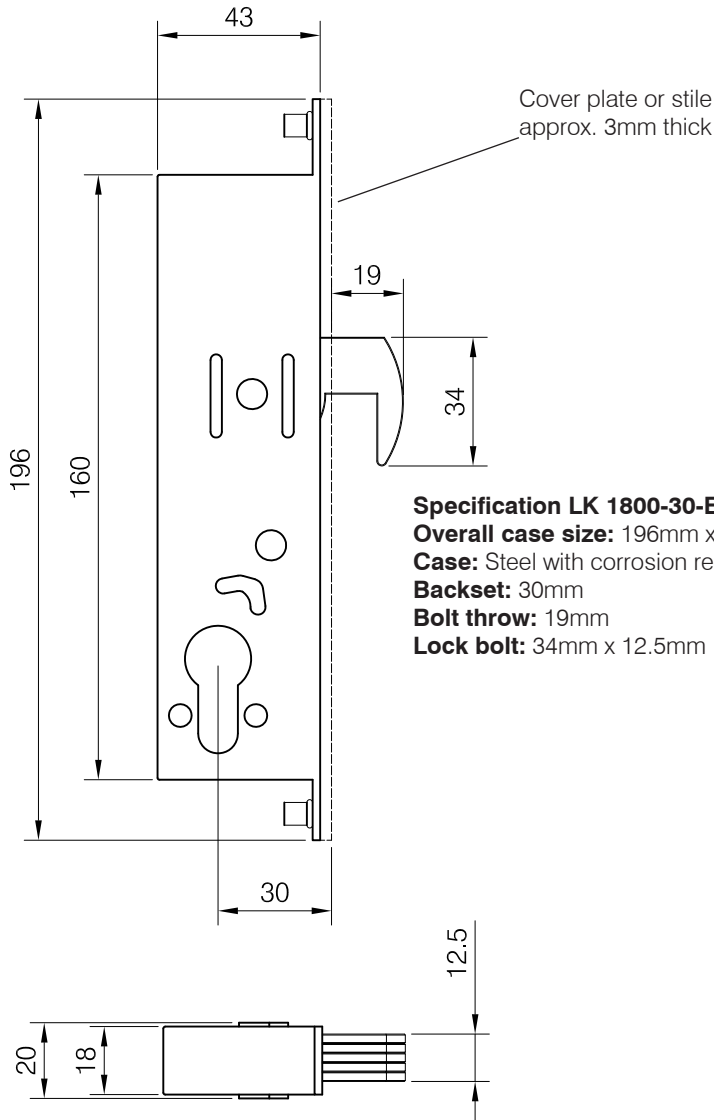
**LK-1800-51-R** - Radius

Note: See AXIM price list for alternative cylinders and finishes



**LK-1800-30-E-RIV**

Mortice hook lock  
30mm backset  
(Rivnut Fixing)



**Specification LK 1800-30-E-RIV**

**Overall case size:** 196mm x 18mm x 43mm

**Case:** Steel with corrosion resistant plating

**Backset:** 30mm

**Bolt throw:** 19mm

**Lock bolt:** 34mm x 12.5mm

**Accessories**

Faceplates

**LK-1801-0F** - Flat no woolpile - Silver

**LK-1801-0R** - Radius no woolpile - Silver

**LK-1802-0F** - Flat no woolpile - Silver

Cylinders

**LK-1601-3030** - Keyed to differ

**LK-1601-3030-S** - Keyed alike

**LK-1601-3030-SP** - Keyed alike in pairs

Mortice hook locks

**LK-1800-30-E-RIV** - 30mm Backset Europrofile

Mounting bridges

**LK-1800-1133** - PAIR

Armoured strike

**LK-1800-52**

Trim strike

**LK-1800-51-F** - Flat

**LK-1800-51-R** - Radius

Note: See AXIM price list for alternative cylinders and finishes



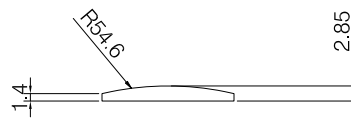
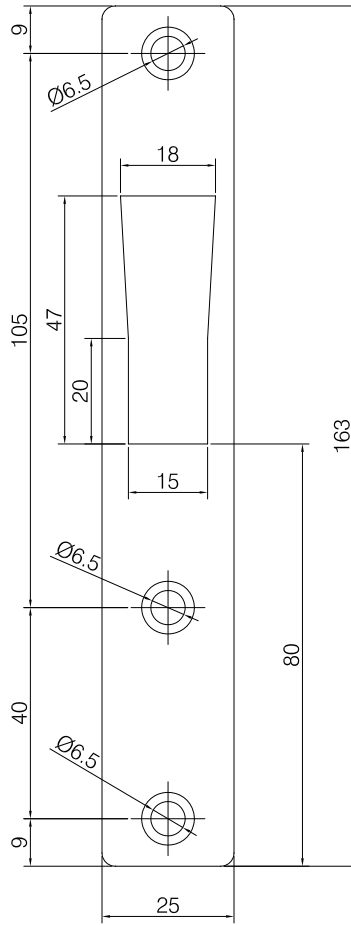
The Parkside Group Ltd

The Willow Centre  
17 Willow Lane, Mitcham, Surrey, CR4 4NX  
Tel: 020-8685 9685 Fax: 020-8646 5096  
Email: axim@parksidegroup.co.uk  
Web Site: www.axim.co.uk

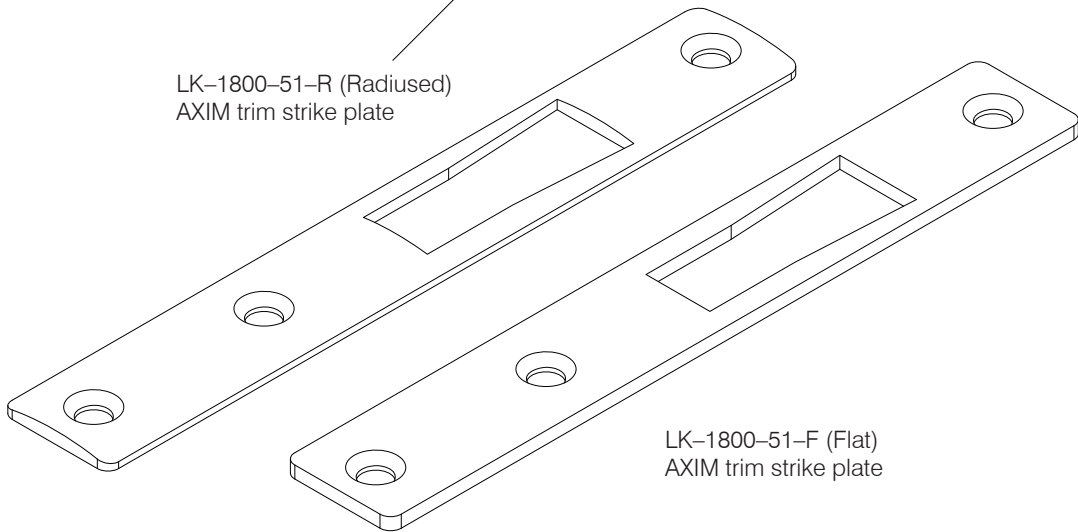
SCALE NTS @A4

DATE SEPTEMBER 2023

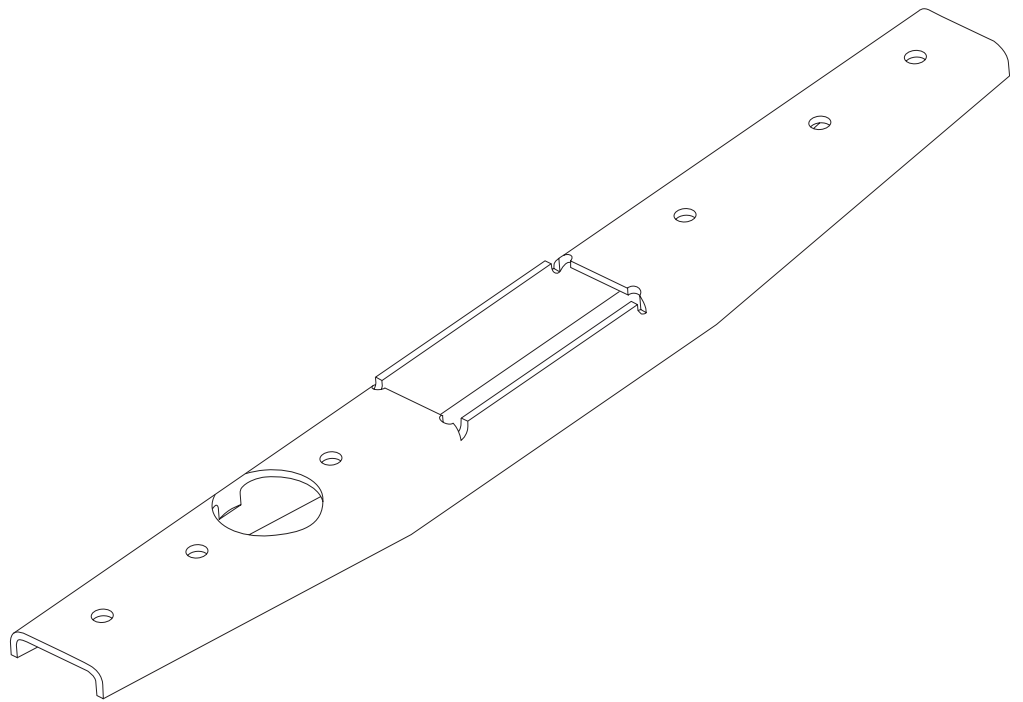
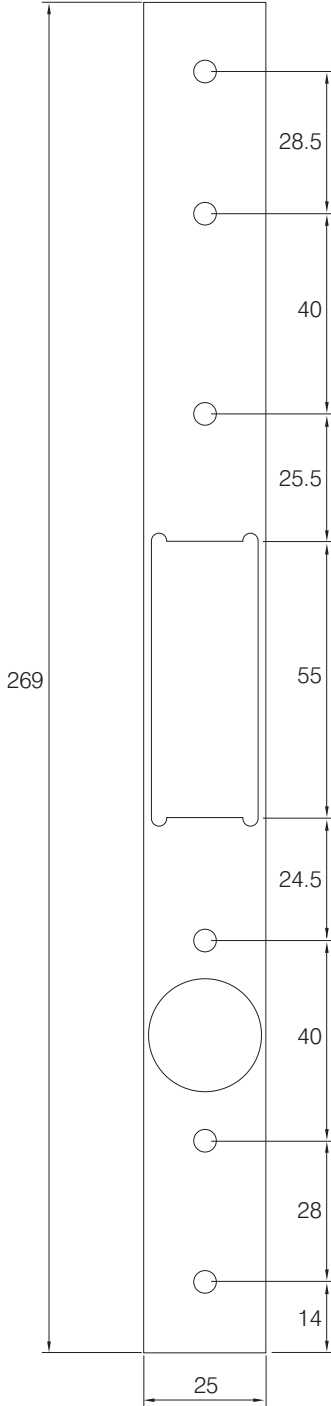
For scaled technical or CAD drawings,  
please contact AXIM.



LK-1800-51-R (Radiused)  
AXIM trim strike plate



LK-1800-51-F (Flat)  
AXIM trim strike plate



**The Parkside Group Ltd**

The Willow Centre  
 17 Willow Lane, Mitcham, Surrey, CR4 4NX  
 Tel: 020-8685 9685 Fax: 020-8646 5096  
 Email: axim@parksidegroup.co.uk  
 Web Site: www.axim.co.uk

SCALE	NTS @A4
DATE	MARCH 2014
For scaled technical or CAD drawings, please contact AXIM.	