

**UNIVERSAL SURFACE MOUNTED DOOR
CLOSER**

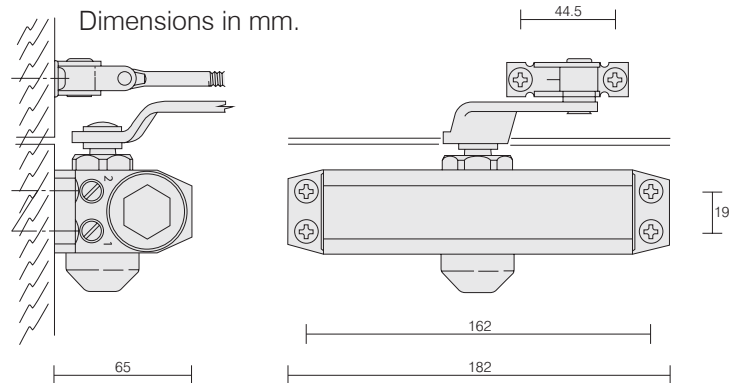
Reversible for left or right hand doors. Die-cast aluminium housing with a hardened steel rack and pinion mechanism. One size unit for two strengths, 2 & 3. For strengths 1, 4 & 5 the compatible 2000 series is recommended.

ADJUSTMENT

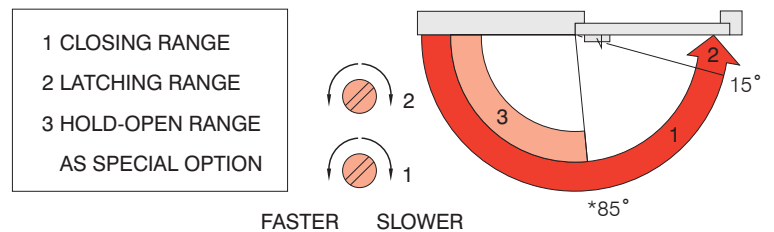
Two independent valves providing hydraulic control from 180° of closing sweep and 15° of latching. Fully adjustable after installation.

AVAILABLE IN THREE FINISHES

Aluminium.
Dark bronze.
Gold.
Other colours available on special request.



CLOSING RANGE AND ADJUSTMENT



MODEL SELECTION TABLE (MAXIMUM DOOR WIDTH DIMENSION IN mm)

SIZE NO.	105° OPENING ANGLE		Closing Force Nm (kgm.f)	185° OPENING ANGLE		Closing Force Nm (kgm.f)
	INTERIOR DOOR	EXTERIOR DOOR		INTERIOR DOOR	EXTERIOR DOOR	
2	900	750	19 (1.9)	750	600	14 (1.4)
3	1050	900	23 (2.3)	900	750	19 (1.9)

ACCESSORIES

Hold-open arm, friction type, adjustable for any degree of retention.

HOLD-OPEN FOREARM 422



SPECIAL ORDER OPTIONS

*The Fc30 is available with a 'built-in' hold-open function from 85°.

GUARANTEE

AXIM SURFACE MOUNTED CLOSERS AND ACCESSORIES ARE GUARANTEED FOR 30 MONTHS FROM THE DATE OF MANUFACTURE AGAINST DEFECT IN MATERIAL AND WORKMANSHIP. THIS GUARANTEE IS VOID IF THE PRODUCT HAS BEEN INCORRECTLY INSTALLED OR DAMAGED IN USE. CLAIMS FOR DAMAGE INCURRED OR WORK DONE THEREON WILL NOT BE ACCEPTED.

AXIM RESERVE THE RIGHT TO UPDATE ITS PRODUCT SPECIFICATIONS WITHOUT PRIOR NOTICE.



The Parkside Group Ltd

The Willow Centre
17 Willow Lane, Mitcham, Surrey, CR4 4NX
Tel: 020-8685 9685 Fax: 020-8646 5096
Email: axim@parksidegroup.co.uk
Web Site: www.axim.co.uk

SCALE NTS @A4

DATE NOVEMBER 2019

For scaled technical or CAD drawings, please contact AXIM.