



**AXIM**  
ARCHITECTURAL HARDWARE

**ES-2200 Series**  
Electric Strike



maximise without compromise

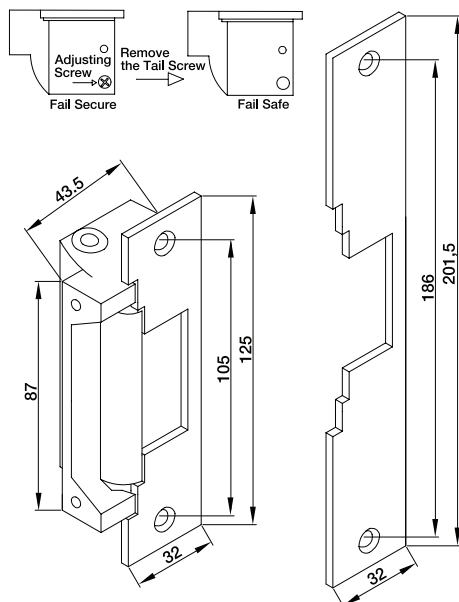


## Axim ES-2200 Series Electric Strike

The Axim ES-2200 series of electric strikes are an ANSI style door release, complete with stainless-steel short or long faceplates for use in metal or timber door frame applications. The electric release is designed to work with most leading brand deadlocking night latch locks.

The ES-2200 also has two forms of monitoring available: latch (ES-2200-M) or latch with dual monitoring, open or closed (ES-2200-DM).

The Axim ES-2200 series are shipped as fail secure and can be converted to fail safe mode by the simple removal of a screw. The Axim ES-2200 can also be set to 12V or 24V by simply reconfiguring the wires in a different sequence.



### Features:

- 450kg Holding Force
- Simple Fail Safe/Fail Secure Changeover
- Easy Installation
- 12/24V AC/DC on Site Settable
- AC Fail Secure only & DC Fail Safe/Fail Secure
- Long and short stainless-steel faceplates are provided
- Easy replacement for most leading brand ANSI electric releases
- Supplied with 250mm of cable
- 25 and 50mm extension lips available
- Power consumption and current draw:  
12/24V DC – 300mA 24/24V DC – 150mA

### Axim ES-2200 Types:

ES-2200-S	Fail Locked/Unlocked with Long/Short Faceplate
ES-2200-M	Fail Locked/Unlocked with Long/Short Faceplate (Monitored)
ES-2200-DM	Fail Locked/Unlocked with Long/Short Faceplate (Dual Monitored)
ES-2200-EL25	Extension Lip (25mm)
ES-2200-EL50	Extension Lip (50mm)

[www.axim.co.uk](http://www.axim.co.uk)

For further information about any of the goods and services provided by Axim, contact us at the address below.

Axim Architectural Hardware, The Willow Centre, 17 Willow Lane, Mitcham, Surrey, CR4 4NX. Tel: 0208 685 9685 • Fax: 0208 646 5096 • Email: [axim@parksidegroup.co.uk](mailto:axim@parksidegroup.co.uk)

**AXIM**  
ARCHITECTURAL HARDWARE

gai associate member

CIAB  
Council for Aluminium  
in Building  
Member