



TITLE	UNIVERSAL CONCEALED OVERHEAD TC-9900 SERIES ADJUSTABLE TRANSOM CLOSER	SHEET No. 1:12
SUB TITLE	TECHNICAL INFORMATION	

The Axim 9900 series door closer has been developed to provide the market with a truly universal door closer. This closer will offer the answer for new installations and for door maintenance where other leading transom closers have failed and a replacement closer is necessary.

MODEL SELECTION TABLE

DOOR WIDTH	CLOSER SIZE	CLOSING FORCE in Nm	NO HOLD	HOLD OPEN 90°
			PRODUCT CODE	
750mm - 1150mm	1-4	9-37	9900-ADJ-00	9900-ADJ-90
SHIPPING WEIGHT 4.5 kgs				

SELECT A SIZE SMALLER FOR INTERNAL DOORS
SELECT SIZE LARGER FOR DOORS IN SEVERE CONDITIONS

APPLICATIONS

Double action.
Centre hung.
70mm pivot point.

REPLACEMENTS

Will replace Axim 8800 series, Dorma, Peters Jackson, Newman, Tonks, Ryobi and other leading transom closers without costly modifications to door or frame.
Universal fittings included.

TECHNICAL INFORMATION

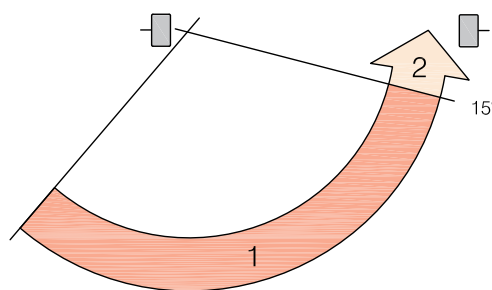
Independent, fully adjustable closing and latching speed controls with captivated screws preventing accidental removal.
4 power sizes, suitable for doors up to 1150mm wide and 100 Kgs. in weight.

Fitting instructions are supplied with each body unit with a separate sheet covering replacement procedures.

BODY UNIT AND FIXINGS	PRODUCT CODE
DUMMY BODY UNIT	TC-9900
SAPCER BAR	TC-9900-03
CLOSER BRACKET SET	TC-9900-23

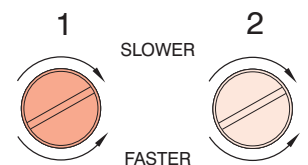
Independent valve screws permit closing speed adjustment from fully open to 15° and 15° to closed.

CLOSING ADJUSTMENT



1 CLOSING RANGE

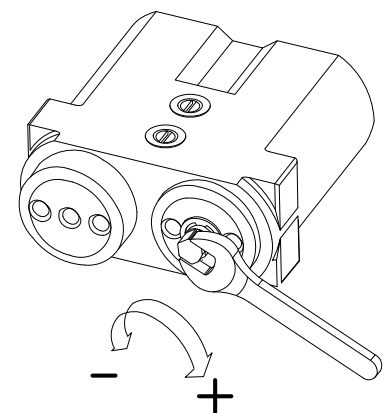
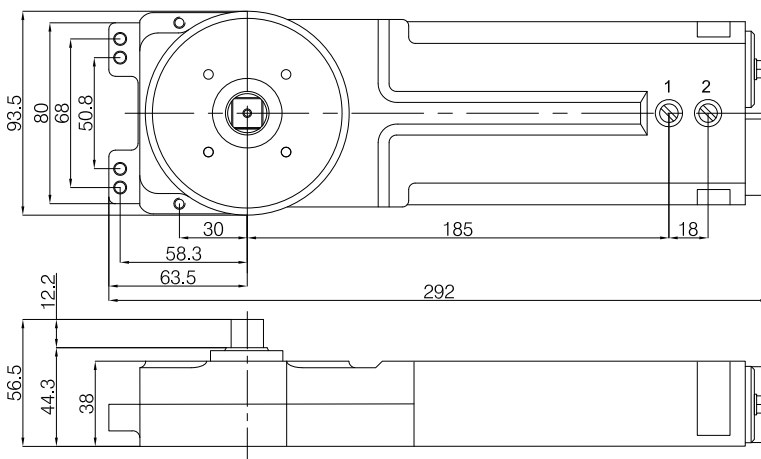
2 LATCHING RANGE



MAXIMUM TWO TURNS

IN EITHER DIRECTION

NUMBER OF TURNS	CLOSER SIZE			
	1	2	3	4
	+0	+2~+4	+5~+7	+8



NOTE: Use 8mm open ended spanner supplied by others

GUARANTEE

AXIM TRANSOM CLOSERS ARE GUARANTEED FOR 30 MONTHS FROM THE DATE OF MANUFACTURE AGAINST DEFECT IN MATERIAL AND WORKMANSHIP THIS GUARANTEE IS VOID IF THE PRODUCT HAS BEEN INCORRECTLY INSTALLED OR DAMAGED IN USE. CLAIMS FOR DAMAGE INCURRED OR WORK DONE THEREON WILL NOT BE ACCEPTED.

AXIM RESERVE THE RIGHT TO UPDATE THIS PRODUCT INFORMATION WITHOUT PRIOR NOTICE



The Parkside Group Ltd

The Willow Centre
17 Willow Lane, Mitcham, Surrey, CR4 4NX
Tel: 020-8685 9685 Fax: 020-8646 5096
Email: axim@parksidegroup.co.uk
Web Site: www.axim.co.uk

SCALE	NTS @A4
DATE	NOVEMBER 2019
For scaled technical or CAD drawings, please contact AXIM.	