

AXIM

ARCHITECTURAL HARDWARE

TC9900 Series

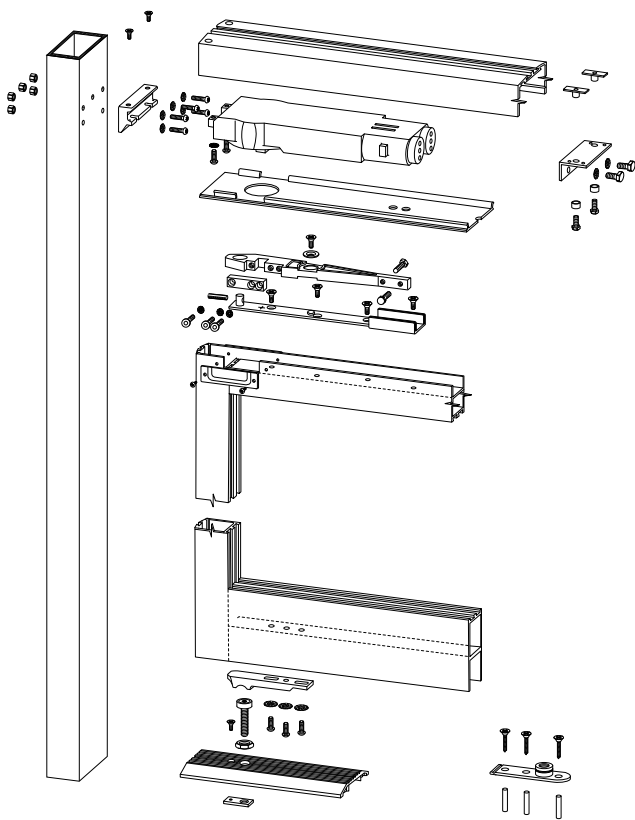
Universal Concealed Transom Closer



maximise without compromise



Axim TC9900 Series Universal Concealed Transom Closer



The Axim TC9900 Series – Market leading through durability, an Axim concealed closer is a hidden closing solution held integrally in the door leaf and transom. This means that the door requires no external hardware creating an aesthetically pleasing solution. The correct closing solution is dependent on the door and configuration. Also available fully adjustable, sizes 1 to 4

To this end, Axim has three power sizes and “no hold” or “hold open” control options in each concealed Transom Closer.

Features:

- Simple solution door closer complementing the TC8800
- Offering the functionality of TC8800
- Suitable for single and double action doors
- 2 valves for closing and latching speed adjustment
- Preset cushion back-check
- No hold-open or mechanical hold-open options
- Three strengths available: 1, 2, or 3, for door widths <1150mm and up to 100kg
- Standard & Anti finger trap package options are available
- Dummy unit available
- Universal replacement unit with fixings
- Easy quick installation
- Replace closer without costly door modifications

www.axim.co.uk

For further information about any of the goods and services provided by Axim, contact us at the address below.

Axim Architectural Hardware, The Willow Centre, 17 Willow Lane, Mitcham, Surrey, CR4 4NX. Tel: 0208 685 9685 • Fax: 0208 646 5096 • Email: axim@parksidegroup.co.uk

AXIM
ARCHITECTURAL HARDWARE

gai associate member

CIAB
Council for Aluminium
in Building
Member