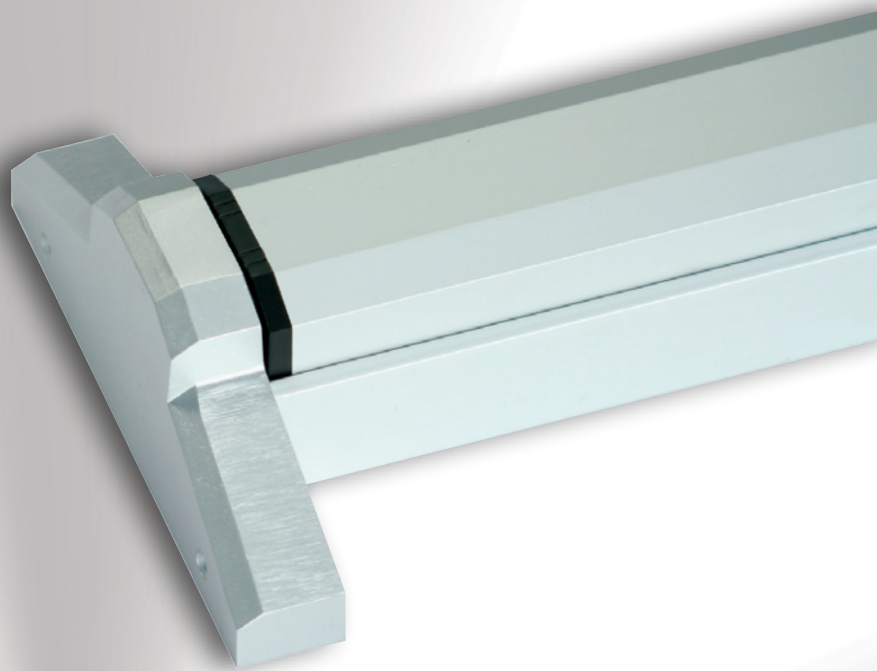




PR7100 Series
Concealed Rod Soft Touch Panic Exit Device

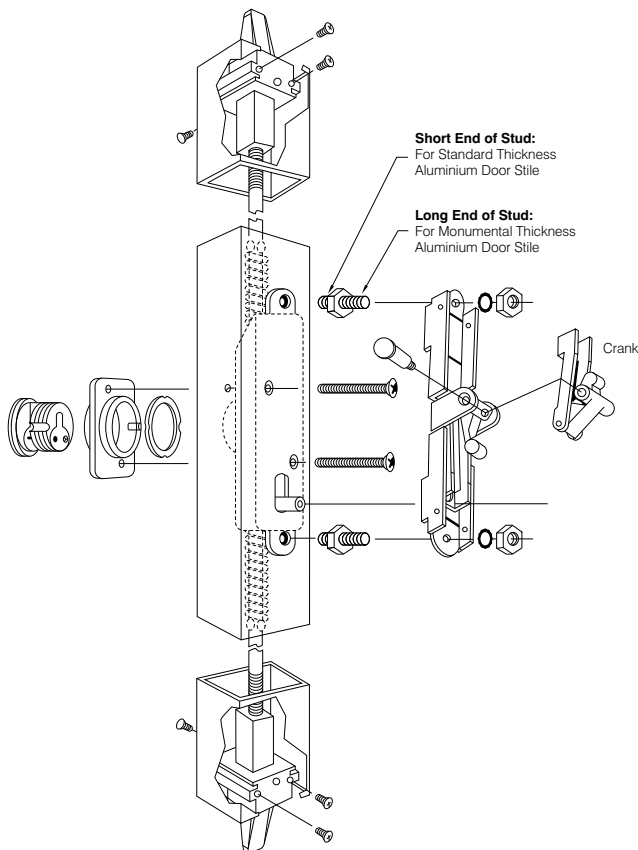


maximise without compromise



AXIM PR7100 Concealed Rod Soft Touch Panic Exit Device

The Axim PR7100 is a concealed, vertical rod panic exit device which secures the top and bottom of the door, except during the operating cycle when the rods are retracted with cylinder key or when touch bar is locked down with an Allen key. The internal mechanism is manufactured from stainless and plated steel, with 8.5mm diameter steel operating rods that provide a 16mm bolt throw. Optional external key access is also available.



Features:

- Aesthetically pleasing, handed, horizontal soft touch push bar panic exit device
- Push bar is extruded aluminium in an anodised finish with coloured alloy end caps to match
- Offers minimal obstruction with a 66mm projection
- The devices have plated steel and stainless steel internal components and, for long term durable operation, they have heavy duty internal lever springs
- All mounting screws are concealed
- Finish options: silver, black

www.axim.co.uk

For further information about any of the goods and services provided by Axim, contact us at the address below.

Axim Architectural Hardware, The Willow Centre, 17 Willow Lane, Mitcham, Surrey, CR4 4NX. Tel: 0208 685 9685 • Fax: 0208 646 5096 • Email: axim@parksidegroup.co.uk

AXIM
ARCHITECTURAL HARDWARE

gai associate member

CIAB
Council for Aluminium
in Building
Member