



**AXIM**  
ARCHITECTURAL HARDWARE

**PR7085 Series**  
Concealed Rod Crash Bar Exit Device



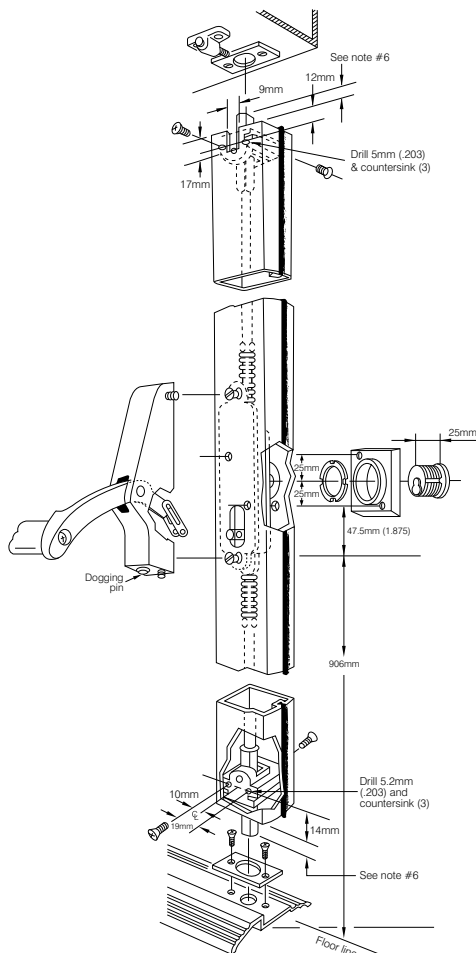
maximise without compromise



## AXIM PR7085 Concealed Rod Crash Bar Exit Device

The Axim PR-7085 is a horizontal crossbar panic exit device. The crossbar is extruded aluminium in a silver satin, dark bronze, green or black anodised finish. All housings and lever arms are finished in an abrasive resistant finish to complement the crossbar anodising. The exit devices have nylon bushes for silent operation, with heavy duty lever springs for durable operation of the lever arms.

They are suitable for narrow and wide stile doors. The latches can be retracted to allow access with a cylinder key or a concealed screw mechanism. All fixings are concealed to ensure an aesthetically pleasing finish. The exit device houses do not exceed 120 x 186mm projection.



### Features:

- Compliant to BS EN 1125.
- Matching active and in-active housings to present a balanced appearance
- Heavy duty lever springs for durable operation of lever arms
- Standard model suitable for doors of up to 1155mm wide
- Extra wide model – long crossbar suitable for doors up to 1220mm wide
- Permanent latch retention by either cylinder key from the outside or concealed pins under the levers
- Cross bar available in:  
Silver Anodised  
Dark Bronze  
Green  
Black

[www.axim.co.uk](http://www.axim.co.uk)

For further information about any of the goods and services provided by Axim, contact us at the address below.

Axim Architectural Hardware, The Willow Centre, 17 Willow Lane, Mitcham, Surrey, CR4 4NX. Tel: 0208 685 9685 • Fax: 0208 646 5096 • Email: [axim@parksidegroup.co.uk](mailto:axim@parksidegroup.co.uk)

**AXIM**  
ARCHITECTURAL HARDWARE

gai associate member

CIAB  
Council for Aluminium  
in Building  
Member