

**CONCEALED ROD, PANIC EXIT DEVICE**

Heavy duty lever springs and internal mechanism for durable, smooth operation. Plated steel and stainless steel internal components.

8.5mm diameter, steel locking rods with 16mm bolt throw.

Bolt length adjustable ensuring correct alignment.

Standard model suitable for door widths as narrow as 700mm and 2135 high. 300mm coupling rods are available for taller doors.

Available with standard mortice rim cylinder and mounting pad allowing external access. Permanent bolt retention for easy access can be achieved with cylinder key from outside or hexagon key in the touch bar. Extruded aluminium touch bar, anodised finish with coloured alloy end caps to match.

All Axim panic exit hardware is supplied with comprehensive instructions and full size templates for ease of installation.

**MODEL SELECTION**

Determine the hand of the door using the diagram above and enter the correct designation after the series number.

**Example:**

**PR-7100-AL-LHRB**

**NOTE: Units are stocked in both right and left hand but are easily field reversible.**

**ACCESSORIES**

Extension rod with coupling for doors over 2135mm high (plated steel)

**REF; RE-712**

Rim cylinder for access from outside

**Product codes;**

**RC-785-AL** Silver grey finish

**RC-785-DU** Dark Bronze finish

**RC-785-BK** Black finish

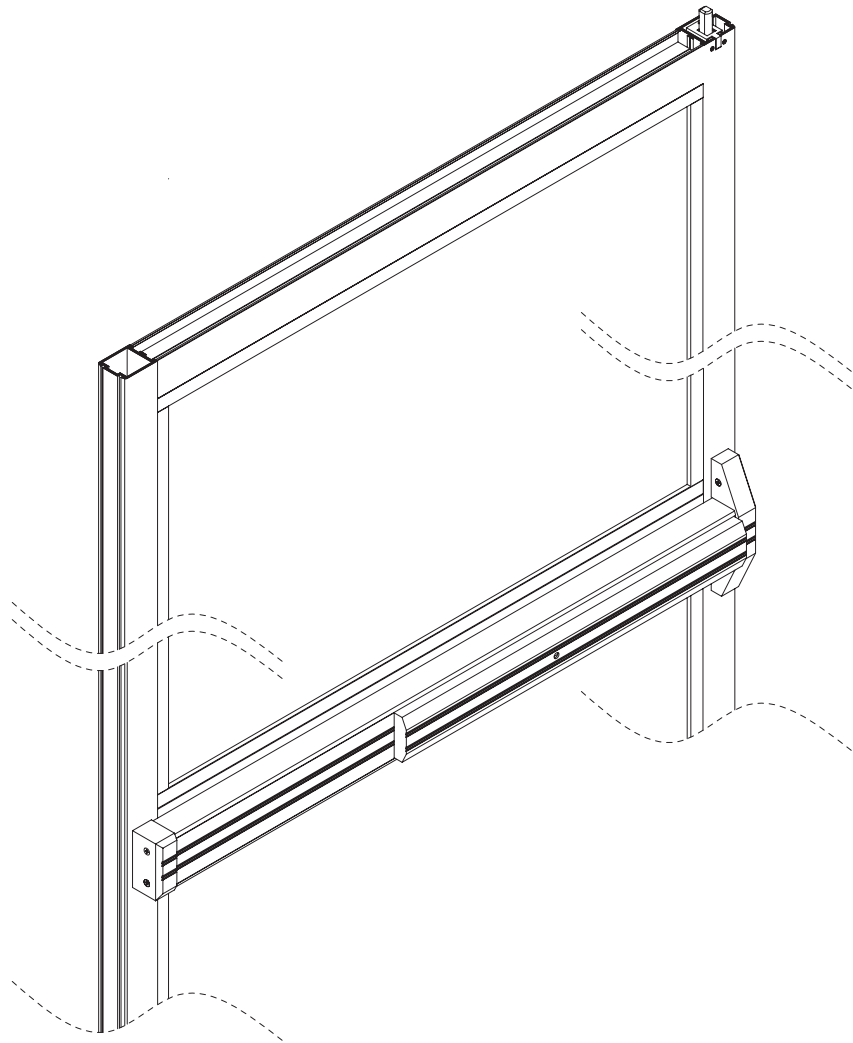
Cylinder mounting pad for above including fixings

**Product codes;**

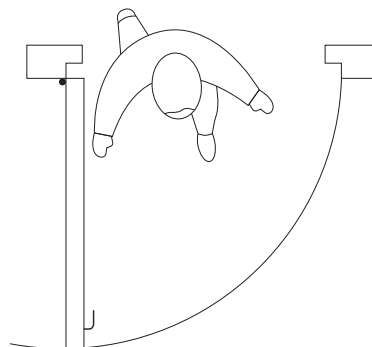
**MP-786-AL** Silver grey finish

**MP-786-DU** Dark Bronze finish

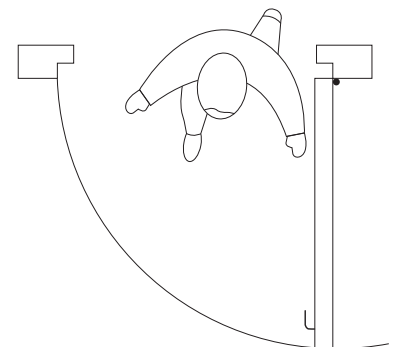
**MP-786-BK** Black finish



**HAND OF DOOR**



LHRB



RHRB



**THE PARKSIDE GROUP LTD**

THE WILLOW CENTRE  
17 WILLOW LANE, MITCHAM, SURREY, CR4 4NX  
Tel: 020-8685 9685 Fax: 020-8646 5096  
Email: axim@parksidegroup.co.uk  
Web Site: <http://www.axim.co.uk>

SCALE	NTS @A4
DATE	MARCH 2014

For scaled technical or CAD drawings, please contact AXIM.