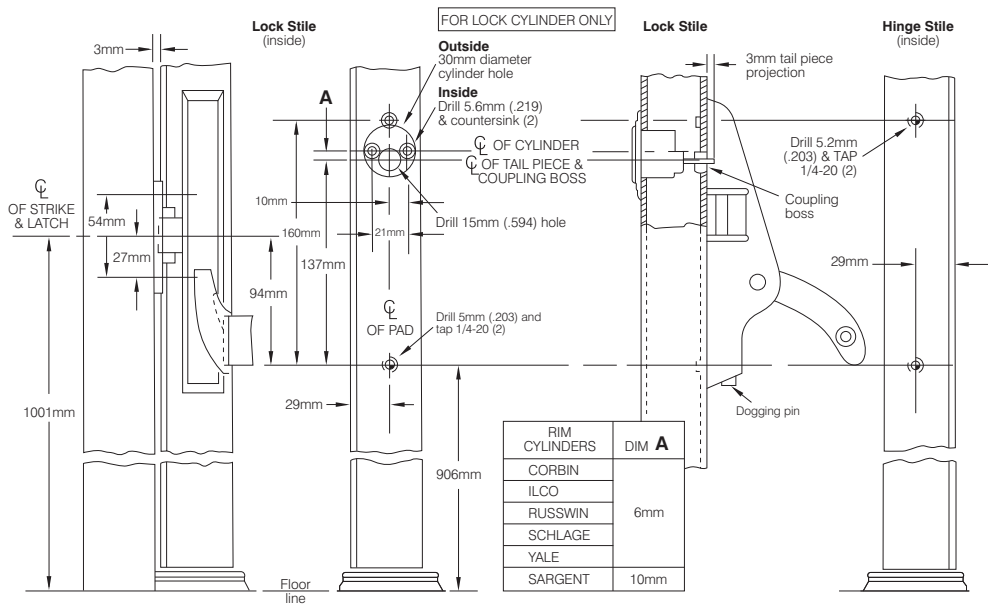
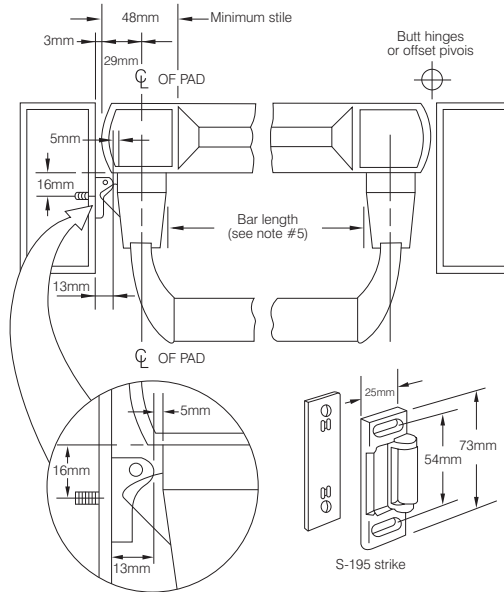


L.H.R.B. Door shown



**Preparation**

- Determine hand of door and prepare inside of lock and hinge stiles as show.
- If cylinder Key Lock is to be used, prepare inside and outside of lock stile as shown.
  - A Cut Spindle of Rim Cylinder to project thru the door 3mm. Install Rim Cylinder and secure with (2) 12-24x29mm Machine Screws NOTE: Screw heads must be flush.
  - B Determine Function of Key Cylinder:
    - (1) STANDARD: Key removable in either locked or unlocked position. With Latch fully released, rotate Coupling Boss so index mark is up.
    - (2) NIGHT LATCH: Key removable in locked position only. With latch fully released, rotate Coupling Boss 90° towards hinge side.

- Install (2) 1/4-20 Shoulder Studs on lock stile and position Exit Latch Pad over Studs and insert Cylinder Spindle into Coupling Boss. Place Pad over Studs and tighten 3 Socket Head Set Screws to secure in place.
- Install (2) 1/4-20 Shoulder Studs on hinge stile and place other Exit Pad over Studs and tighten 3 Socket Head Set Screws to secure in place.
- Measure distance from inside edge to inside edge of Exit Pads for proper Cross Bar length. Cut Cross Bar. CAUTION: Cross Bar length must be within ± 1mm for unit to function properly.
- Loosen 3 Set Screws on hinge stile Exit Pad and install Cross Bar using (2) 1/4-20 x25mm Oval Head Self-threading Screws. Tighten 3 Set Screws to secure in place.
- Prepare lock jamb for Strike as shown and install using (2) #10 x 13mm Flat Head Self-threading Screws or #10 x 32mm All-purpose Screws.

**DOGGING EXIT DEVICE USING DOGGING PIN:**  
Fully depress Cross Bar and hold, push up Dogging Pin with screwdriver and rotate 90° in either direction.

**TO RELEASE EXIT DEVICE:**  
Hold Cross Bar down and rotate Dogging Pin with screwdriver in either direction until Dogging Pin releases.

**DOGGING EXIT DEVICE USING CYLINDER KEY:**  
Turn Key toward hinge side approximately 360°.

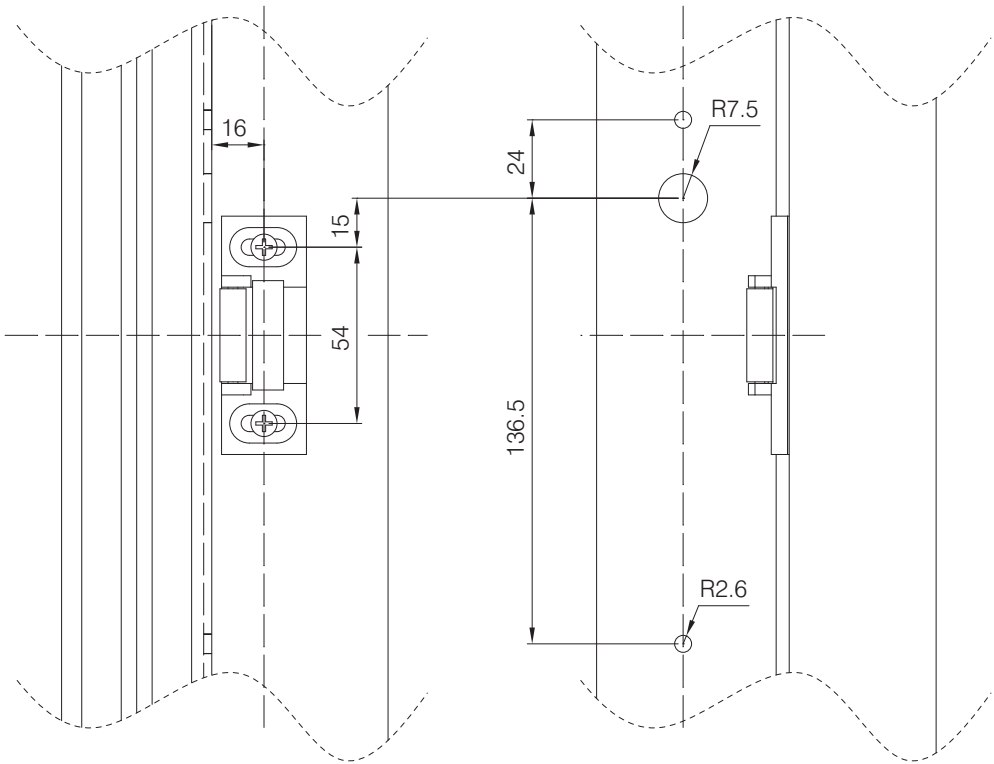
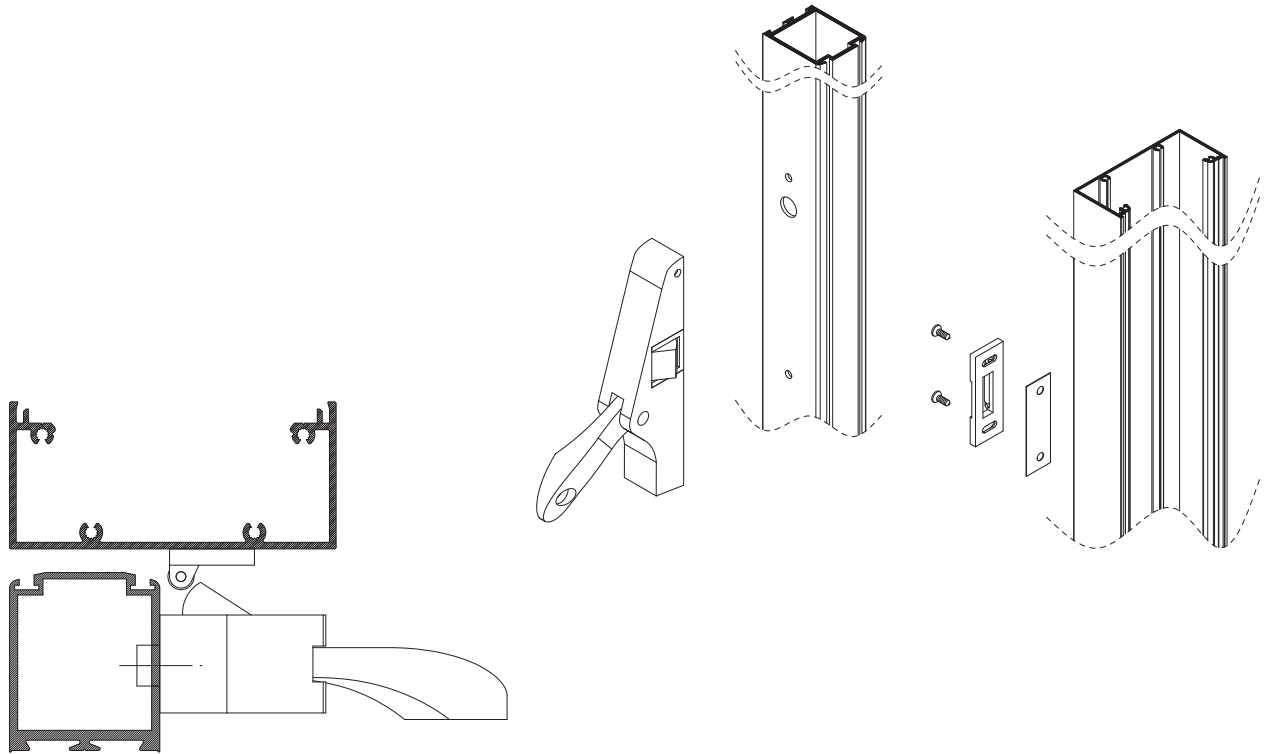
**TO RELEASE EXIT DEVICE:**  
Turn Key toward latch side approximately 360°.



**THE PARKSIDE GROUP LTD**

THE WILLOW CENTRE  
17 WILLOW LANE, MITCHAM, SURREY, CR4 4NX  
Tel: 020-8685 9685 Fax: 020-8646 5096  
Email: axim@parksidegroup.co.uk  
Web Site: http://www.axim.co.uk

SCALE	NTS @A4
DATE	MARCH 2014
For scaled technical or CAD drawings, please contact AXIM.	



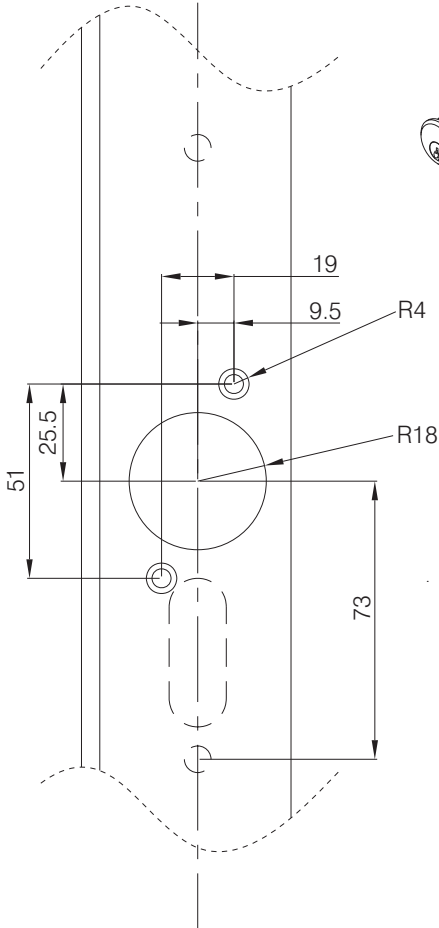
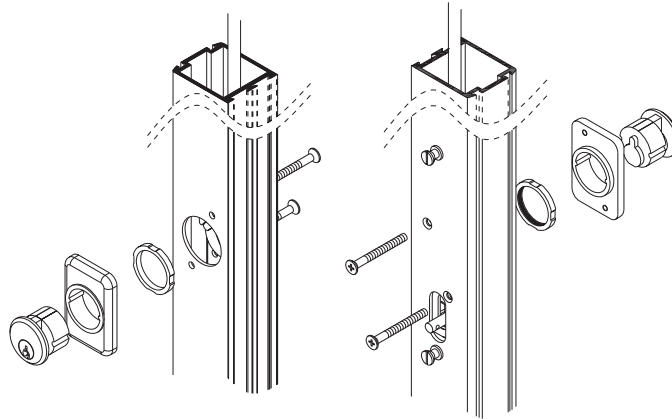
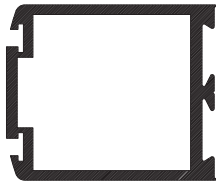
**THE PARKSIDE GROUP LTD**

THE WILLOW CENTRE  
17 WILLOW LANE, MITCHAM, SURREY, CR4 4NX  
Tel: 020-8685 9685 Fax: 020-8646 5096  
Email: axim@parksidegroup.co.uk  
Web Site: <http://www.axim.co.uk>

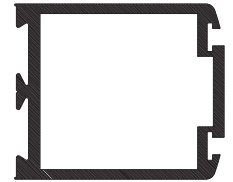
SCALE	NTS @A4
-------	---------

DATE	MARCH 2014
------	------------

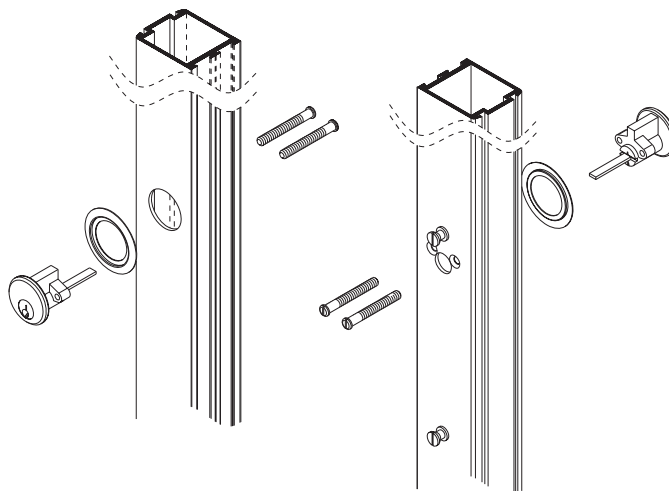
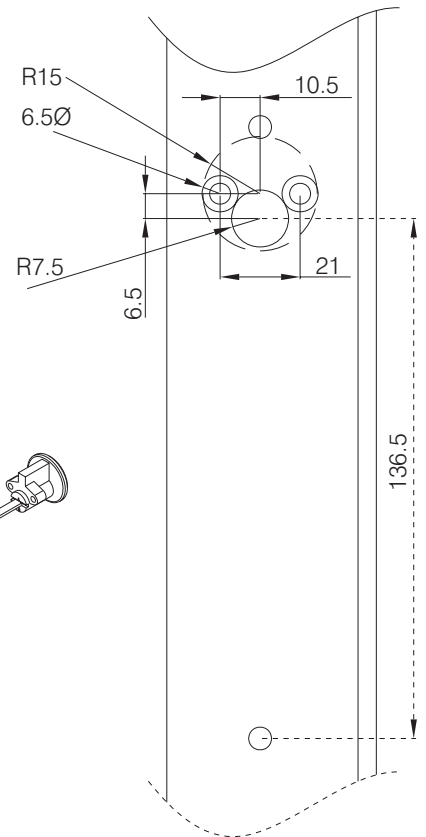
For scaled technical or CAD drawings,  
please contact AXIM.



RC 785 AL Rim cylinder & MP 786 mounting pad for use with 7085/7100 panic exit devices



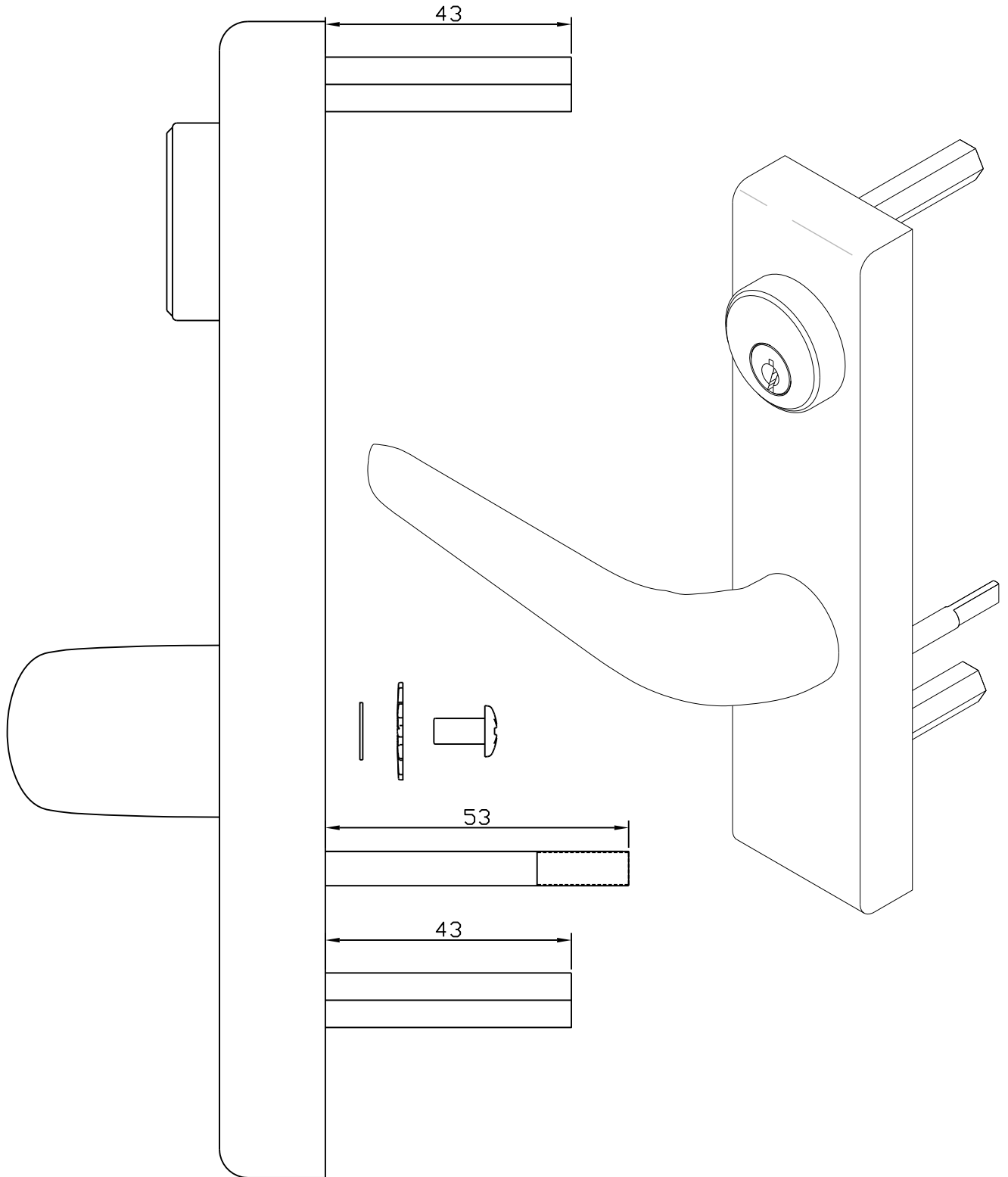
RC 795 AL Rim cylinder for use with 7095 panic exit device



**THE PARKSIDE GROUP LTD**

THE WILLOW CENTRE  
17 WILLOW LANE, MITCHAM, SURREY, CR4 4NX  
Tel: 020-8685 9685 Fax: 020-8646 5096  
Email: axim@parksidegroup.co.uk  
Web Site: <http://www.axim.co.uk>

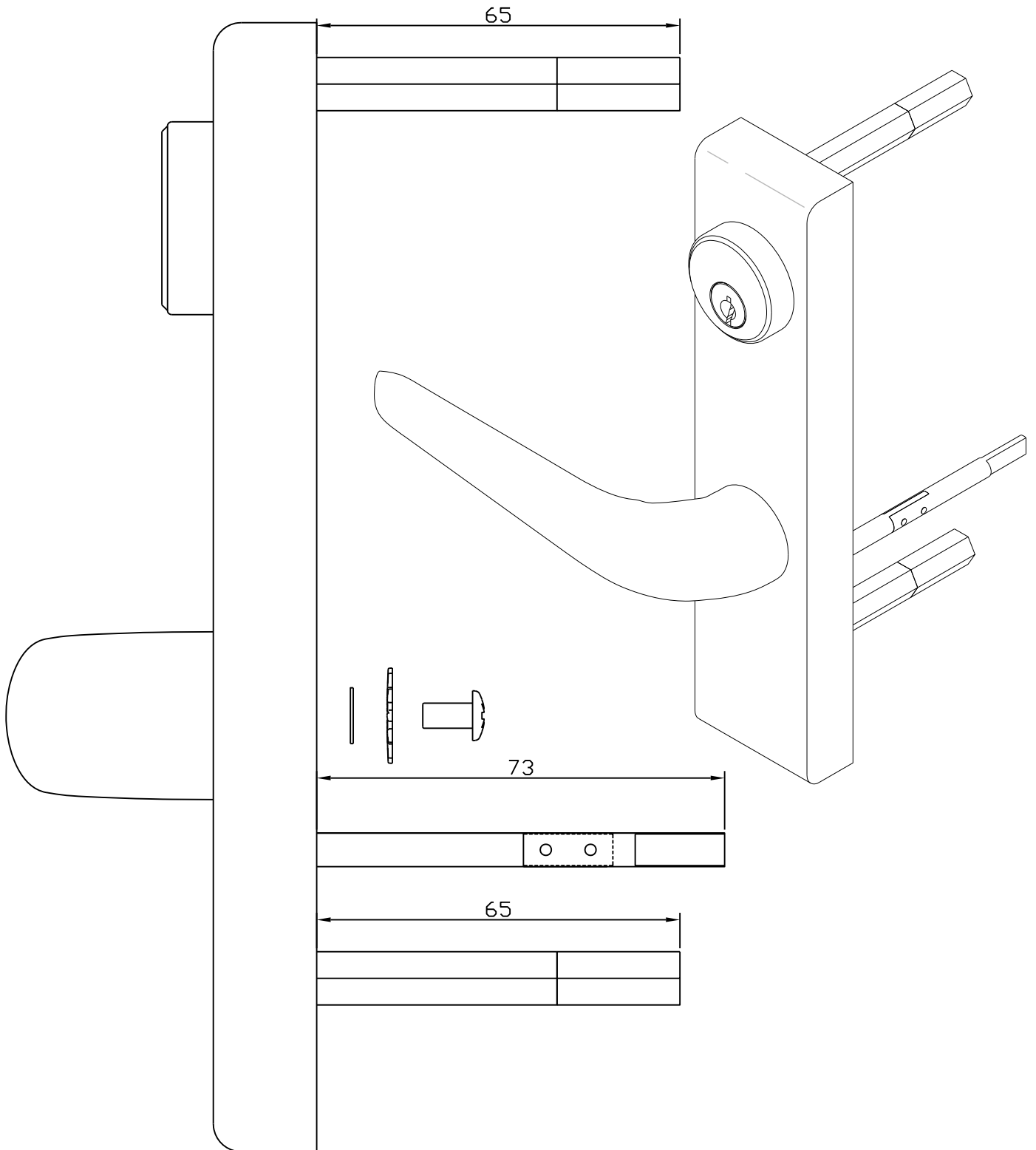
SCALE	NTS @A4
DATE	MARCH 2014
For scaled technical or CAD drawings, please contact AXIM.	



**THE PARKSIDE GROUP LTD**

THE WILLOW CENTRE  
17 WILLOW LANE, MITCHAM, SURREY, CR4 4NX  
Tel: 020-8685 9685 Fax: 020-8646 5096  
Email: axim@parksidegroup.co.uk  
Web Site: <http://www.axim.co.uk>

SCALE	NTS @A4
DATE	AUGUST 2016
For scaled technical or CAD drawings, please contact AXIM.	



### THE PARKSIDE GROUP LTD

THE WILLOW CENTRE  
17 WILLOW LANE, MITCHAM, SURREY, CR4 4NX  
Tel: 020-8685 9685 Fax: 020-8646 5096  
Email: axim@parksidegroup.co.uk  
Web Site: <http://www.axim.co.uk>

SCALE	NTS @A4
DATE	AUGUST 2016
For scaled technical or CAD drawings, please contact AXIM.	