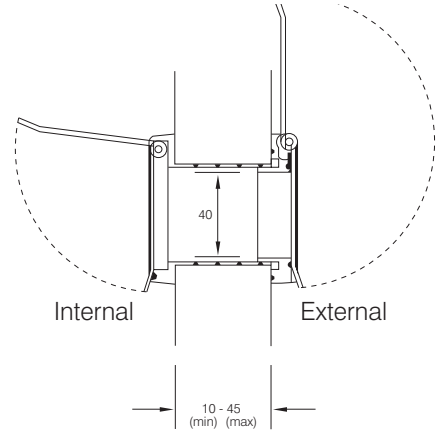
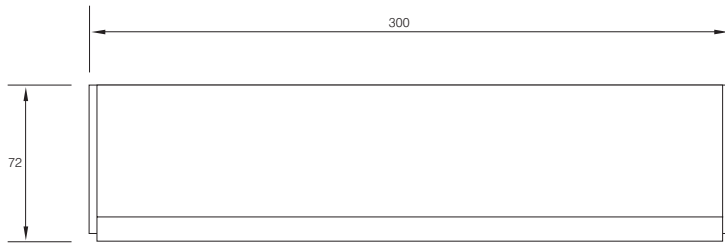
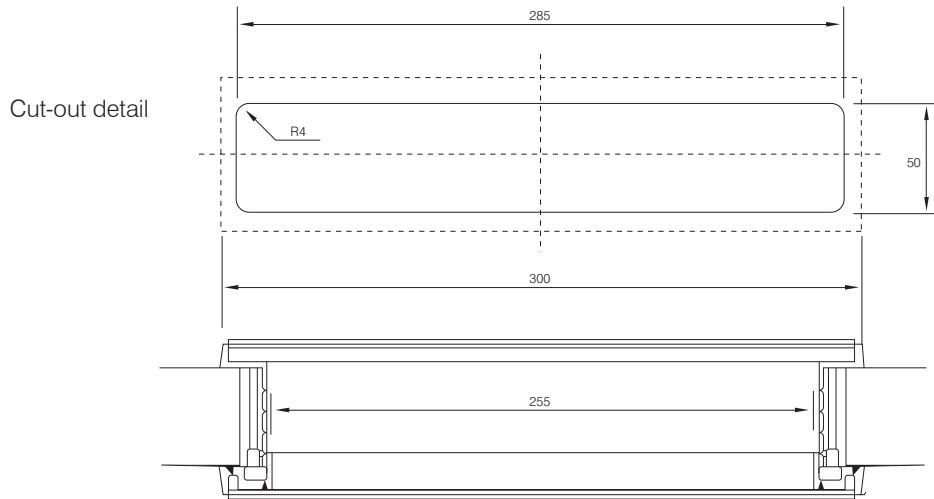


LP-500 LETTER PLATE



- | | |
|---|-----------|
| Letter plate assembly mill finish | LP-500-ML |
| Letter plate assembly S.A.A finish | LP-500-AL |
| Letter plate assembly Bronze 547 finish | LP-500-DU |
| Letter plate assembly Black Anodised finish | LP-500-BK |
| Letter plate assembly White P.C.C finish | LP-500-WT |
| Letter flap set stainless steel anodised | LP-500-SS |



EX-570 LETTER PLATE EXTENSION SLEEVE

Letter plate extension sleeve EX-570 supplied with 2 No. Spring Clips and 120mm Fixing Screws.

