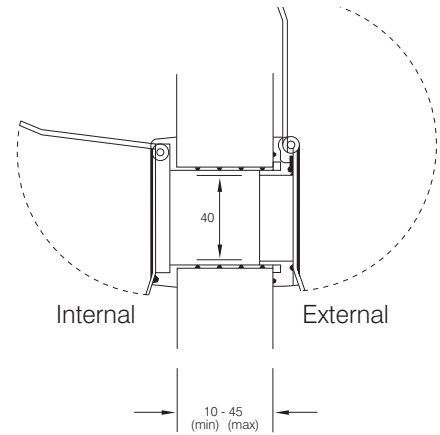
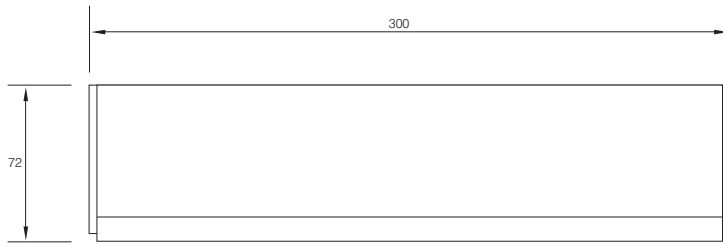
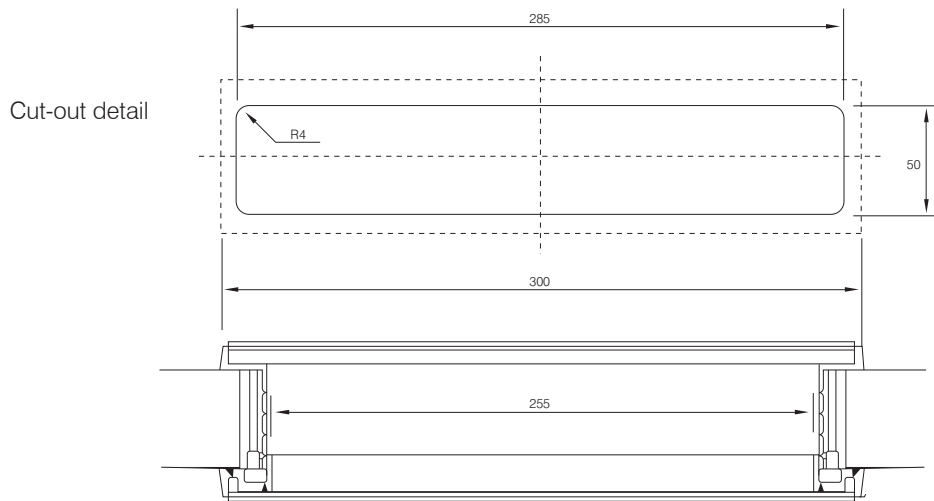


LP-500 LETTER PLATE

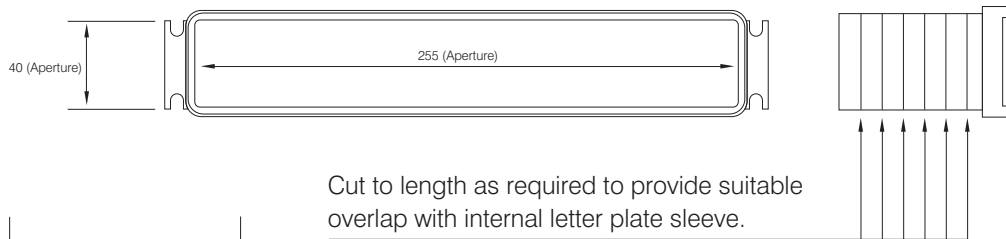


- | | |
|---|-----------|
| Letter plate assembly mill finish | LP-500-ML |
| Letter plate assembly S.A.A finish | LP-500-AL |
| Letter plate assembly Bronze 547 finish | LP-500-DU |
| Letter plate assembly Black Anodised finish | LP-500-BK |
| Letter plate assembly White P.C.C finish | LP-500-WT |
| Letter flap set stainless steel anodised | LP-500-SS |

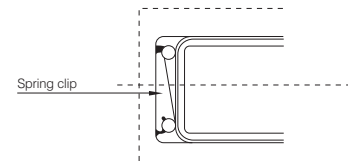
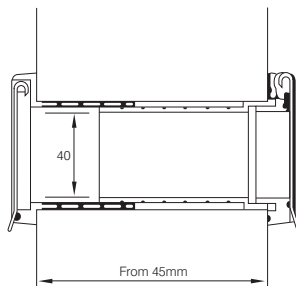


EX-570 LETTER PLATE EXTENSION SLEEVE

Letter plate extension sleeve EX-570 supplied with 2 No. Spring Clips and 120mm Fixing Screws.



Cut to length as required to provide suitable overlap with internal letter plate sleeve.



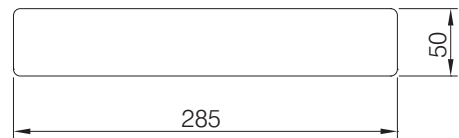
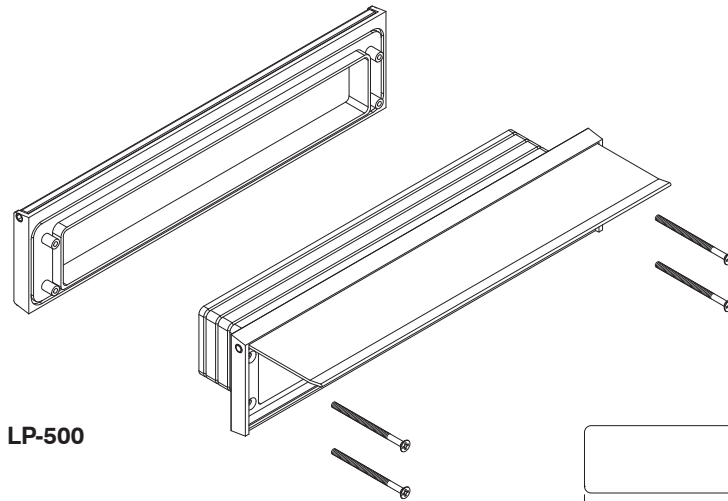
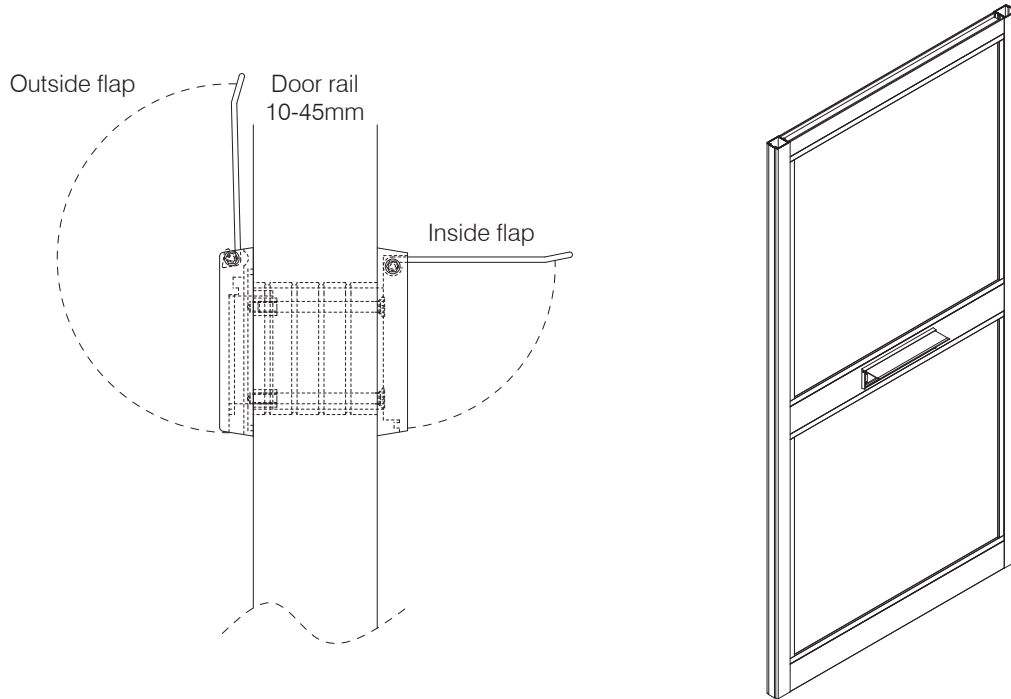
THE PARKSIDE GROUP LTD

THE WILLOW CENTRE
17 WILLOW LANE, MITCHAM, SURREY, CR4 4NX
Tel: 020-8685 9685 Fax: 020-8646 5096
Email: axim@parksidegroup.co.uk
Web Site: <http://www.axim.co.uk>

SCALE NTS @A4

DATE MARCH 2014

For scaled technical or CAD drawings,
please contact AXIM.



Rail preparation:
285 x 50mm cut out
No fixing holes necessary



THE PARKSIDE GROUP LTD

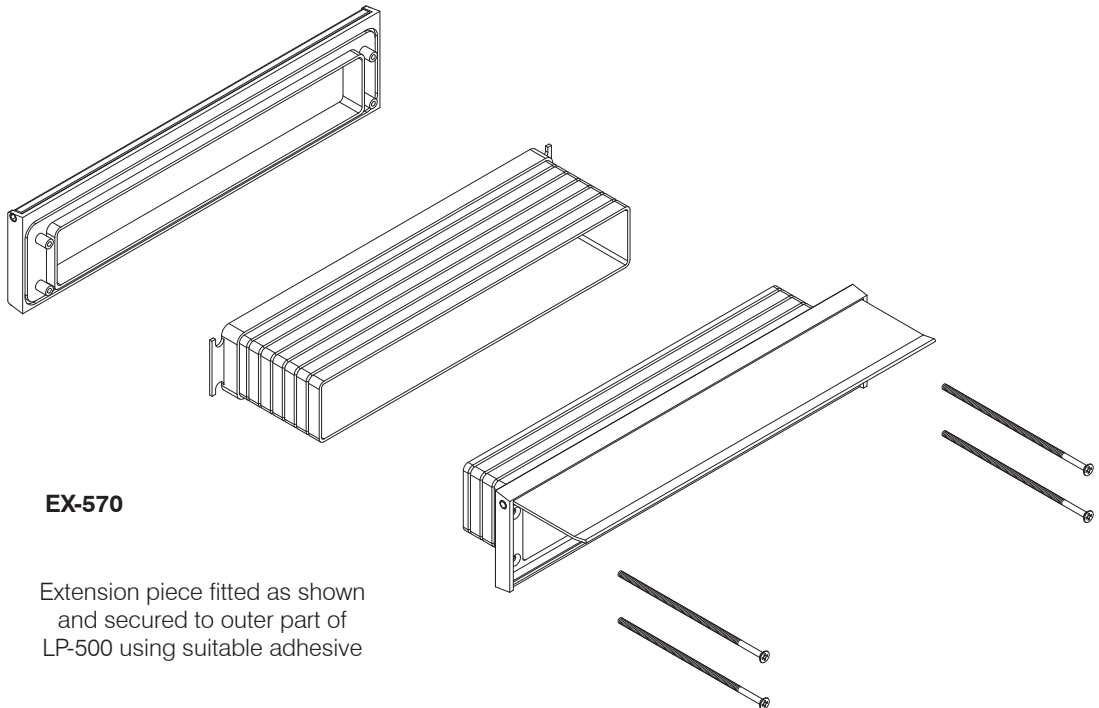
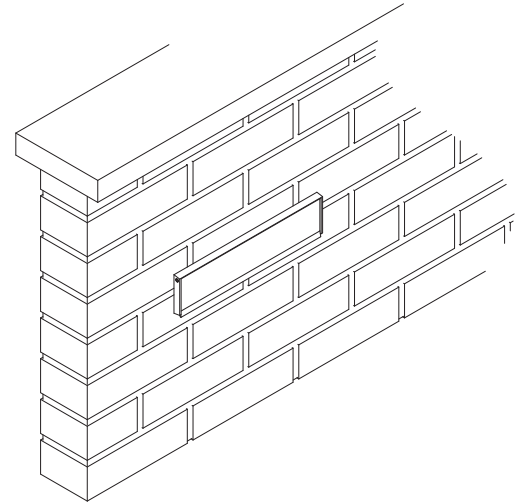
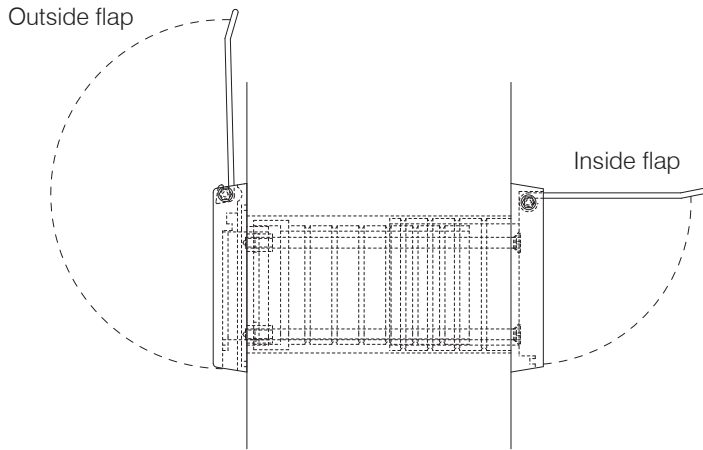
THE WILLOW CENTRE
17 WILLOW LANE, MITCHAM, SURREY, CR4 4NX
Tel: 020-8685 9685 Fax: 020-8646 5096
Email: axim@parksidegroup.co.uk
Web Site: <http://www.axim.co.uk>

SCALE	NTS @A4
-------	---------

DATE	MARCH 2014
------	------------

For scaled technical or CAD drawings,
please contact AXIM.

Door rail/wall up to 120mm
(For deeper applications consult
Comar Technical department)



EX-570

Extension piece fitted as shown
and secured to outer part
of LP-500 using suitable adhesive



THE PARKSIDE GROUP LTD

THE WILLOW CENTRE
17 WILLOW LANE, MITCHAM, SURREY, CR4 4NX
Tel: 020-8685 9685 Fax: 020-8646 5096
Email: axim@parksidegroup.co.uk
Web Site: <http://www.axim.co.uk>

SCALE NTS @A4

DATE MARCH 2014

For scaled technical or CAD drawings,
please contact AXIM.