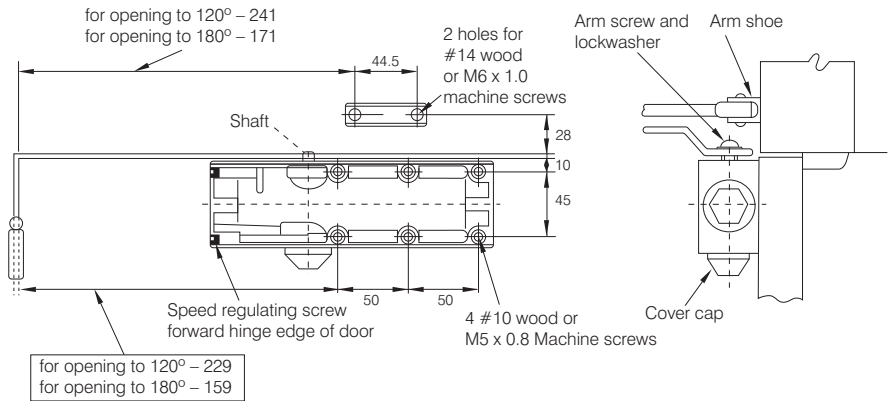
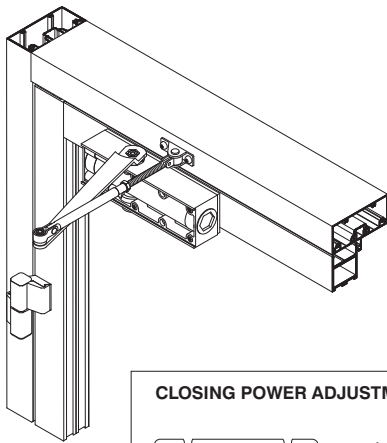
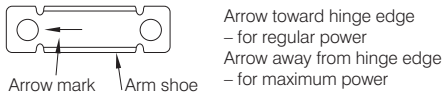


Standard installation

Closer mounted on door on pull side

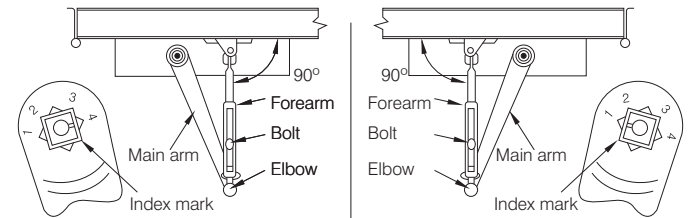


CLOSING POWER ADJUSTMENT



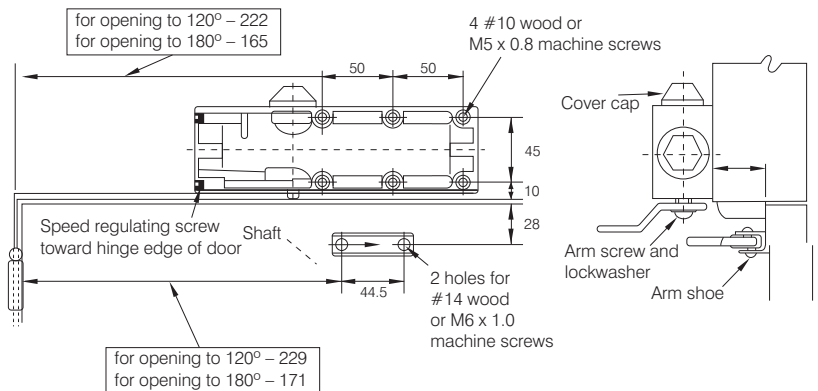
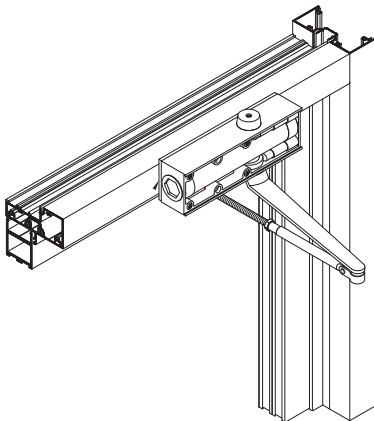
Right hand door shown
Same dimensions apply for left hand door measured from hinge edge

POSITION OF ARMS AND INDEX SETTINGS

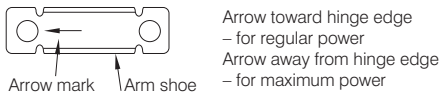


Top jamb installation

Closer mounted on top jamb on push side of door.
Reveals of 70 to 127 requires long top jamb forearms

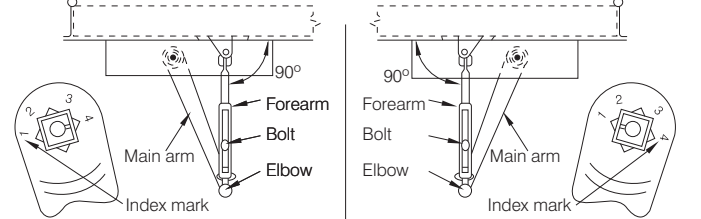


CLOSING POWER ADJUSTMENT



Left hand door shown
Same dimensions apply for right hand door measured from hinge edge

POSITION OF ARMS AND INDEX SETTINGS



THE PARKSIDE GROUP LTD

THE WILLOW CENTRE
17 WILLOW LANE, MITCHAM, SURREY, CR4 4NX
Tel: 020-8685 9685 Fax: 020-8646 5096
Email: axim@parksidegroup.co.uk
Web Site: http://www.axim.co.uk

SCALE NTS @A4

DATE MARCH 2014

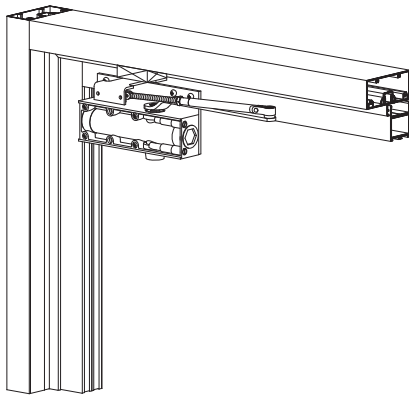
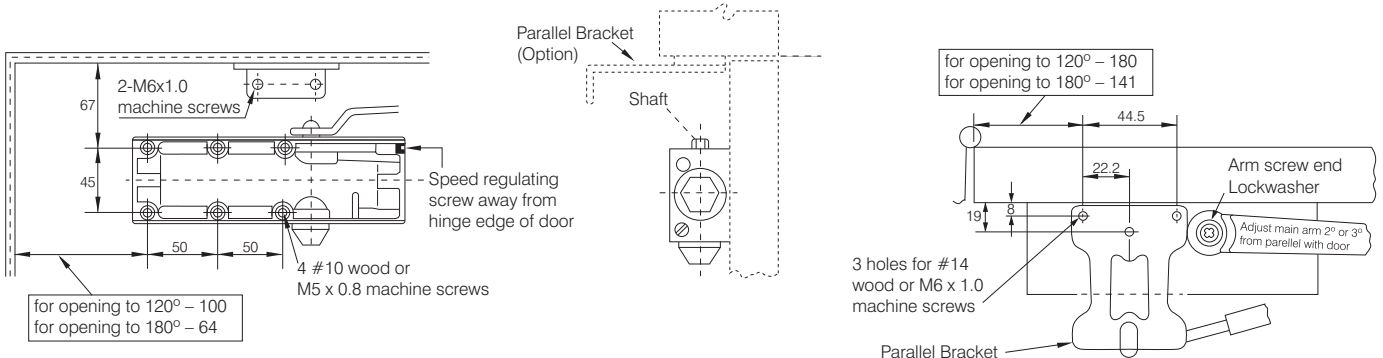
For scaled technical or CAD drawings,
please contact AXIM.

Parallel arm installation

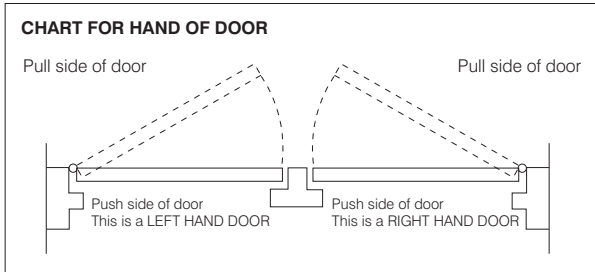
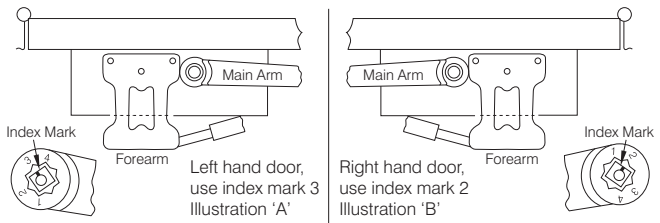
Closer mounted on door on push side

Left hand door shown

Same dimensions apply for right hand door measured from hinge edge.

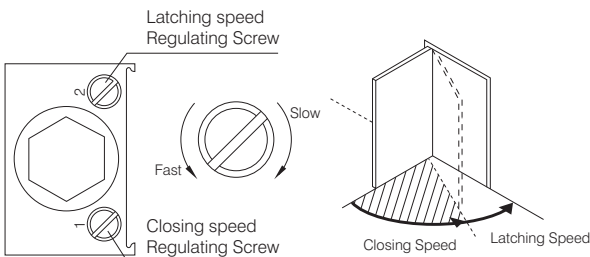


POSITION OF ARMS AND INDEX SETTINGS



Instructions

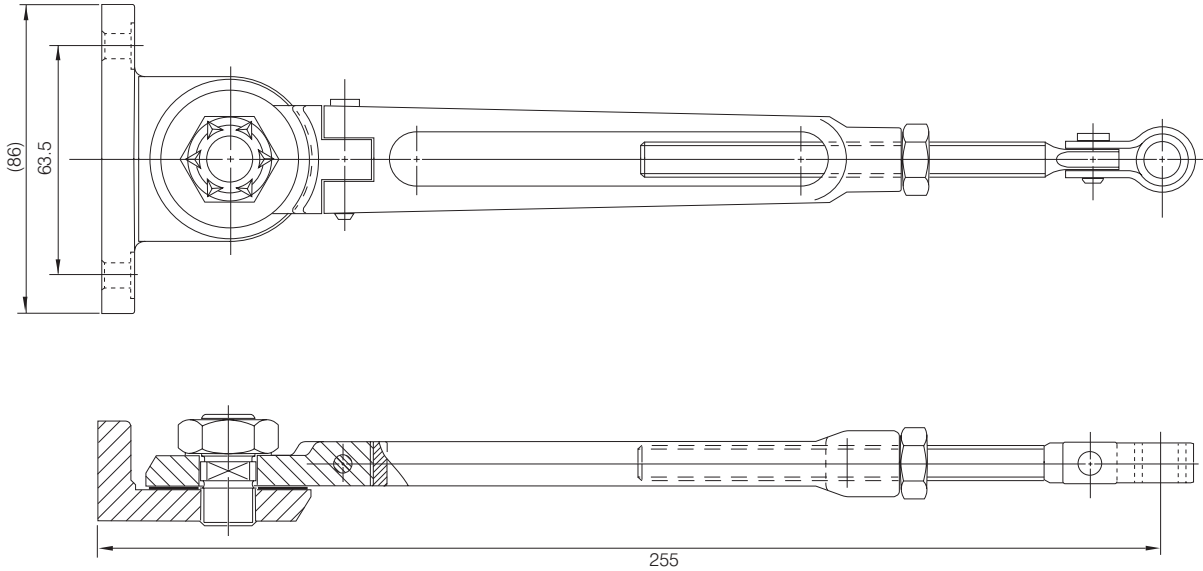
- Step 1**
A. Check hand of door.
B. Select type of installation.
- Step 2**
A. See instructions for installation you have selected.
B. Follow instructions for correct application and adjustment.
- Step 3**
A. Apply closer body and forearm (or parallel bracket and forearm) to door and frame as shown.
B. Place main arm on shaft at proper index mark as shown and tighten arm screw with lockwasher securely.
C. Adjust length of forearm as shown and attach to main arm at elbow and tighten locknut bolt.
- Step 4**
Fixing cover cap on shaft at unused side and insert rubber plug into one of unused fixing hole on body then slide in the Faceplate.
- Step 5**
Door closing and latching speeds are controlled by #1, #2 speed regulating screw separately.
A. Clockwise turns slow the Speed.
B. Counterclockwise turns increase the speed.

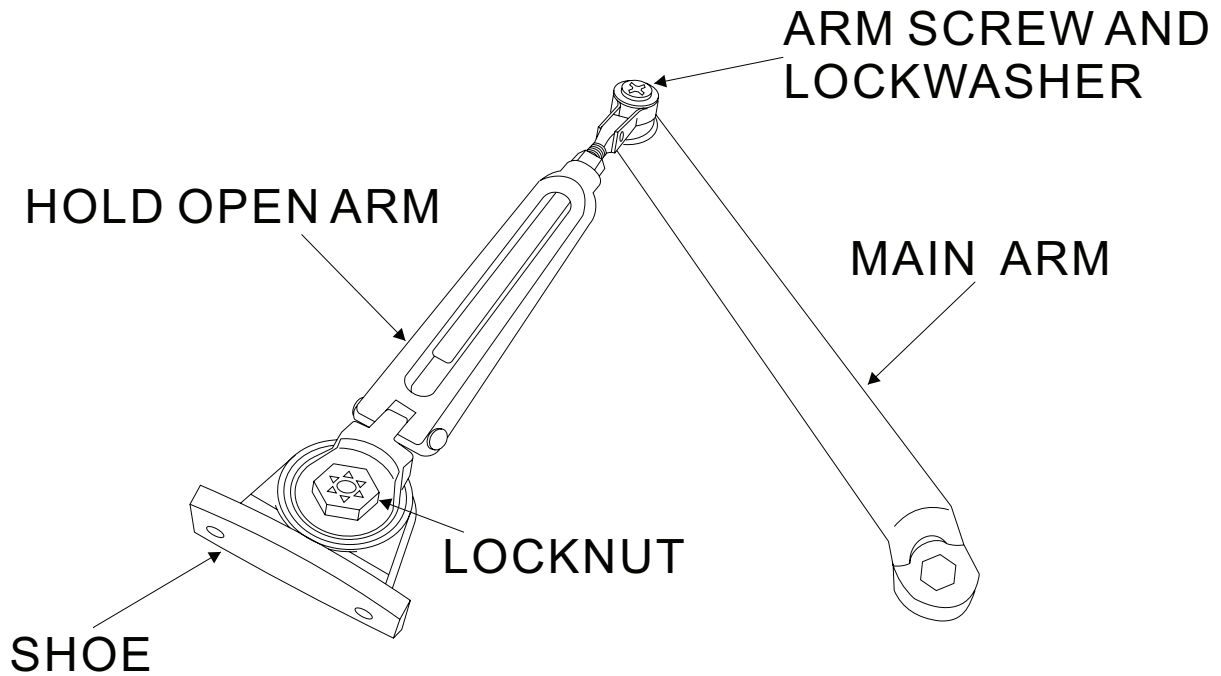


THE PARKSIDE GROUP LTD

THE WILLOW CENTRE
17 WILLOW LANE, MITCHAM, SURREY, CR4 4NX
Tel: 020-8685 9685 Fax: 020-8646 5096
Email: axim@parksidegroup.co.uk
Web Site: <http://www.axim.co.uk>

SCALE	NTS @A4
DATE	MARCH 2014
For scaled technical or CAD drawings, please contact AXIM.	





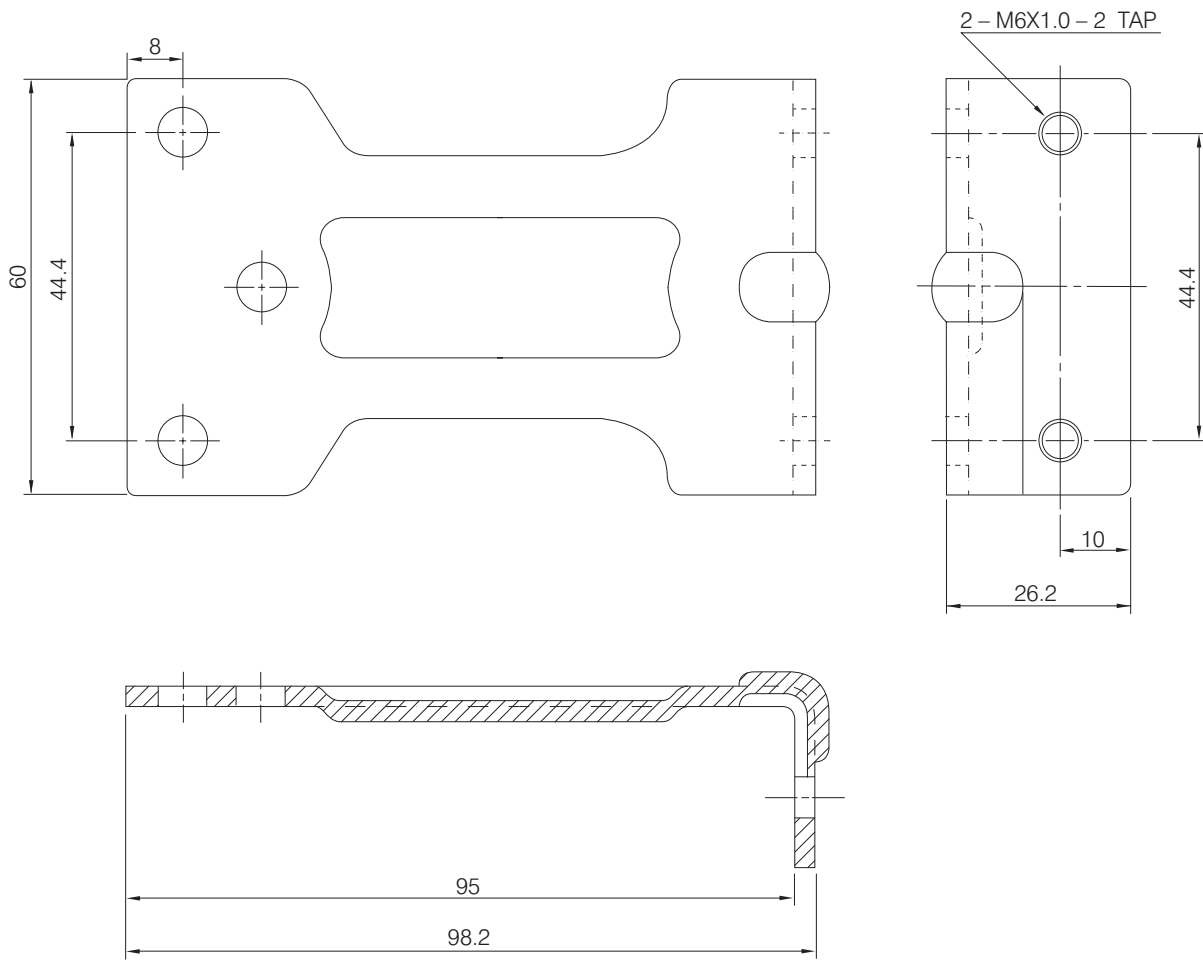
THE PARKSIDE GROUP LTD

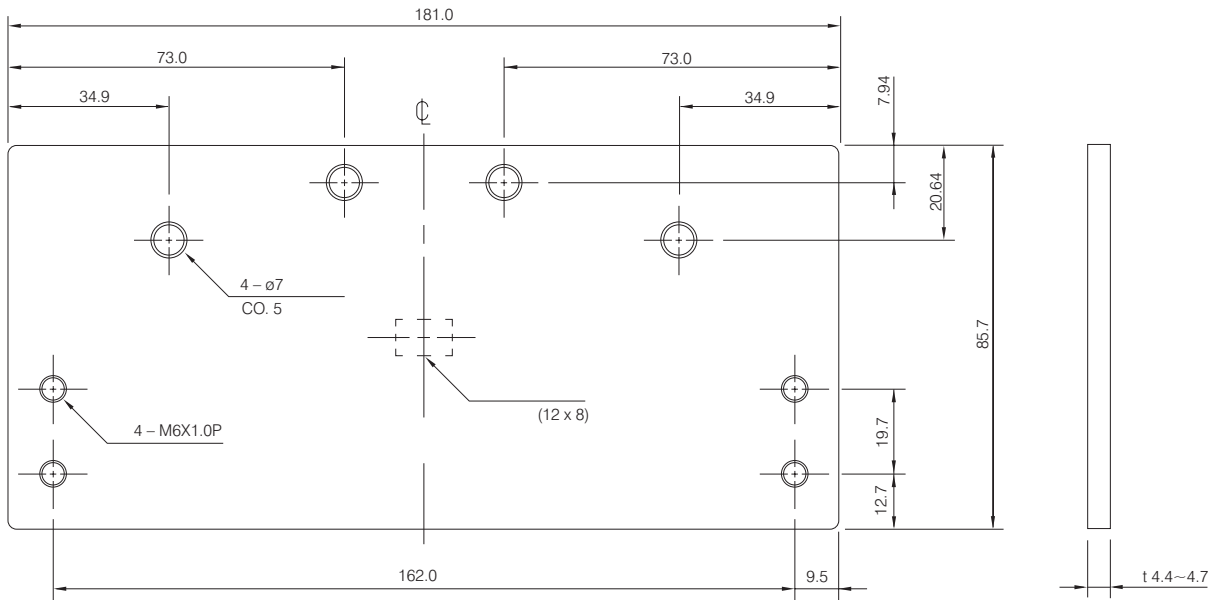
THE WILLOW CENTRE
17 WILLOW LANE, MITCHAM, SURREY, CR4 4NX
Tel: 020-8685 9685 Fax: 020-8646 5096
Email: axim@parksidegroup.co.uk
Web Site: <http://www.axim.co.uk>

SCALE NTS @A4

DATE MARCH 2014

For scaled technical or CAD drawings,
please contact AXIM.

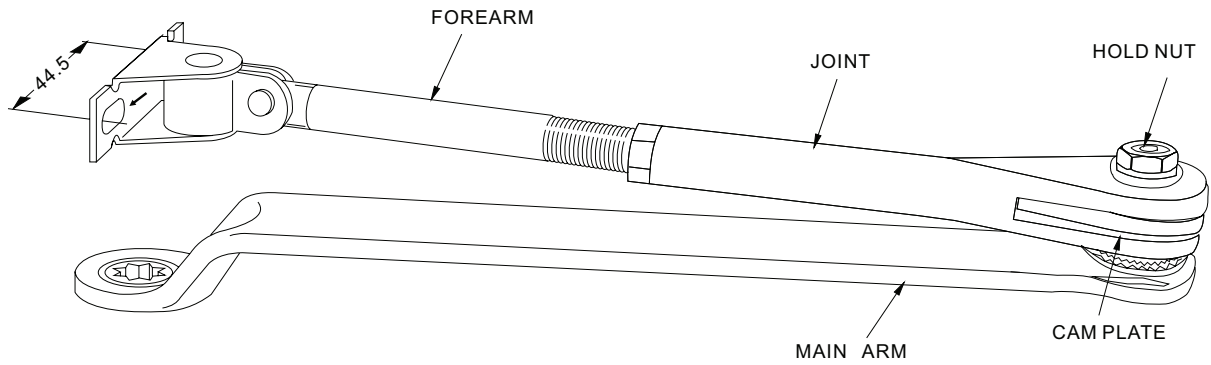




THE PARKSIDE GROUP LTD

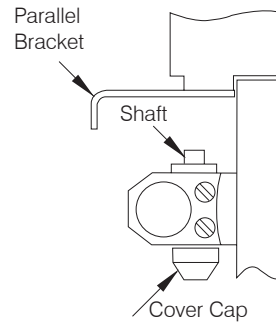
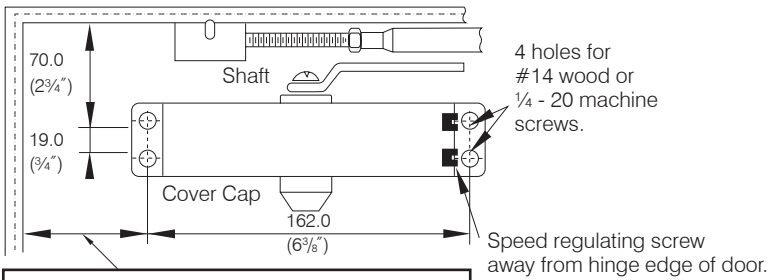
THE WILLOW CENTRE
17 WILLOW LANE, MITCHAM, SURREY, CR4 4NX
Tel: 020-8685 9685 Fax: 020-8646 5096
Email: axim@parksidegroup.co.uk
Web Site: <http://www.axim.co.uk>

SCALE	NTS @A4
DATE	MARCH 2014
For scaled technical or CAD drawings, please contact AXIM.	



Parallel arm installation

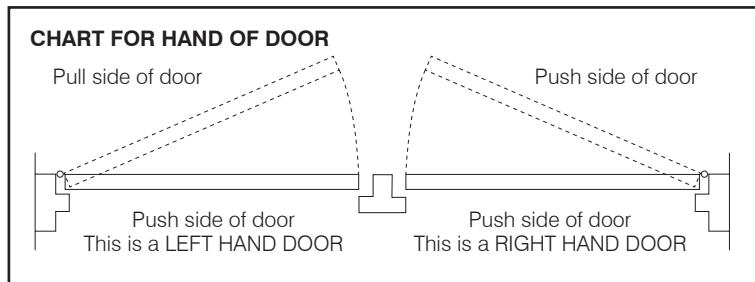
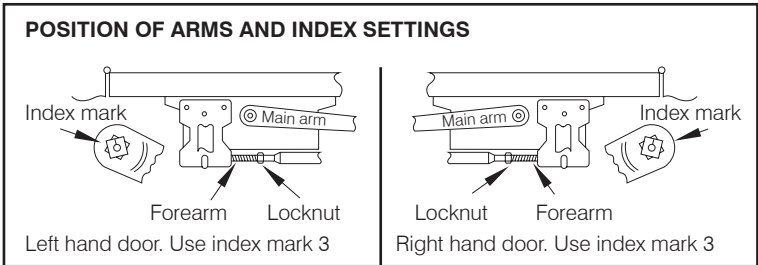
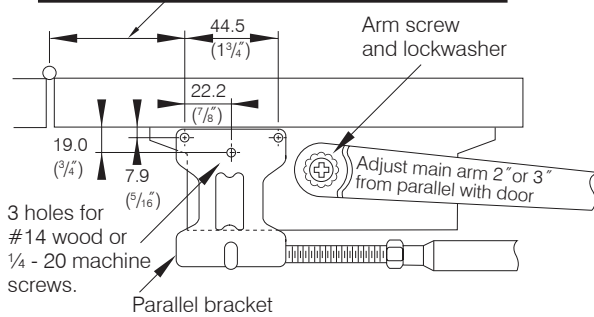
Closer mounted on door on push side



for openings to 105° - 220 (8²¹/₃₂)
for openings to 180° - 150 (5²⁹/₃₂)

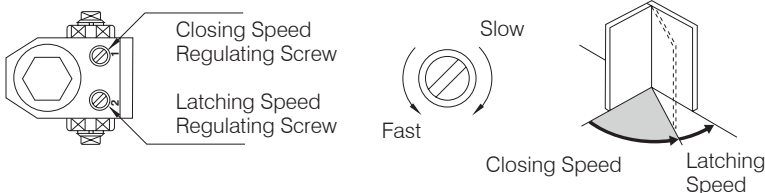
for openings to 105° - 230 (9¹/₁₆)
for openings to 180° - 160 (6¹⁹/₆₄)

LEFT HAND DOOR shown.
Same dimensions apply for right hand door
measured from hinge edge.



Instructions

- Step 1**
A. Check hand of door.
B. Select type of installation.
- Step 2**
A. See instructions for installation you have selected.
B. Follow instructions for correct application and adjustment.
- Step 3**
A. Apply closer body and forearm (or parallel bracket and forearm) to door and frame as shown.
B. Place main arm on shaft at proper index mark as shown and tighten arm screw with lockwasher securely.
C. Adjust length of forearm as shown and attach to main arm at elbow and tighten locknut.
- Step 4**
Snap cover cap over shaft at unused side.
- Step 5**
Door closing and latching speeds are controlled by #1, #2 speed.
Regulating screw separately.
A. Clockwise turns slow the speed.
B. Counterclockwise turns increase the speed.



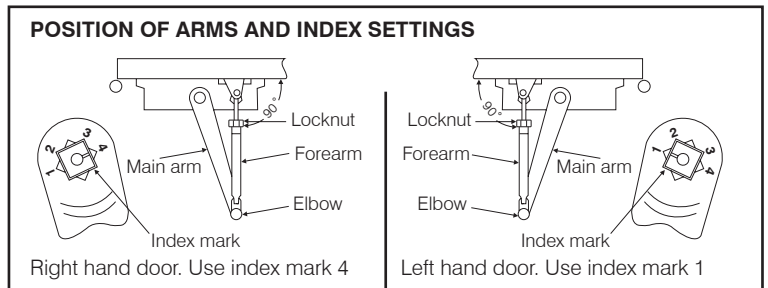
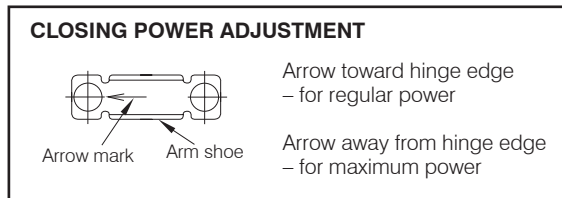
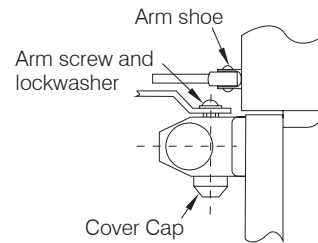
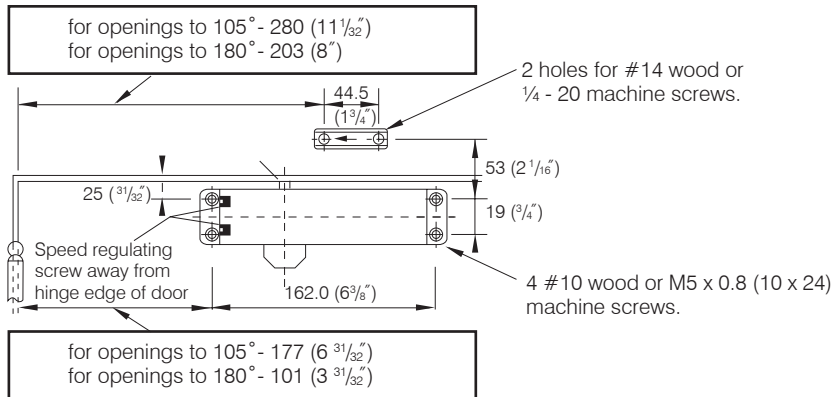
THE PARKSIDE GROUP LTD

THE WILLOW CENTRE
17 WILLOW LANE, MITCHAM, SURREY, CR4 4NX
Tel: 020-8685 9685 Fax: 020-8646 5096
Email: axim@parksidegroup.co.uk
Web Site: <http://www.axim.co.uk>

SCALE	NTS @A4
DATE	MARCH 2014
For scaled technical or CAD drawings, please contact AXIM.	

Standard installation

Closer mounted on door pull side

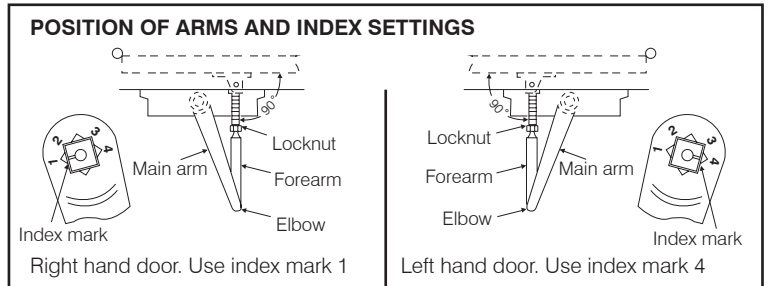
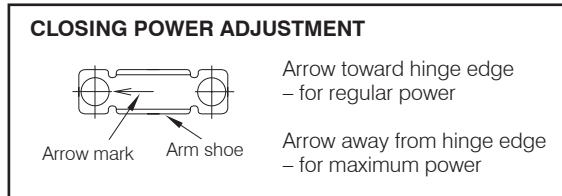
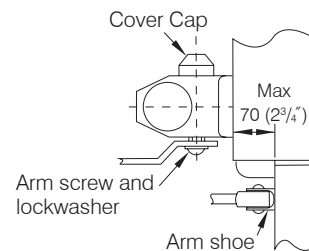
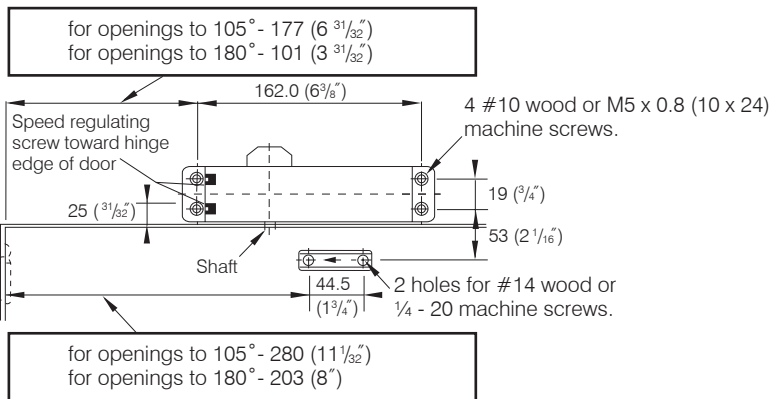


Right hand door shown

Same dimensions apply for left hand door measured from hinge edge.

Top jamb installation

Closer mounted on top jamb on push side of door.
Reveals of 70 (2 3/4'') to 127 (5'') requires long top jamb forearms.



Left hand door shown

Same dimensions apply for right hand door measured from hinge edge.



THE PARKSIDE GROUP LTD

THE WILLOW CENTRE
17 WILLOW LANE, MITCHAM, SURREY, CR4 4NX
Tel: 020-8685 9685 Fax: 020-8646 5096
Email: axim@parksidegroup.co.uk
Web Site: <http://www.axim.co.uk>

SCALE	NTS @A4
DATE	MARCH 2014
For scaled technical or CAD drawings, please contact AXIM.	